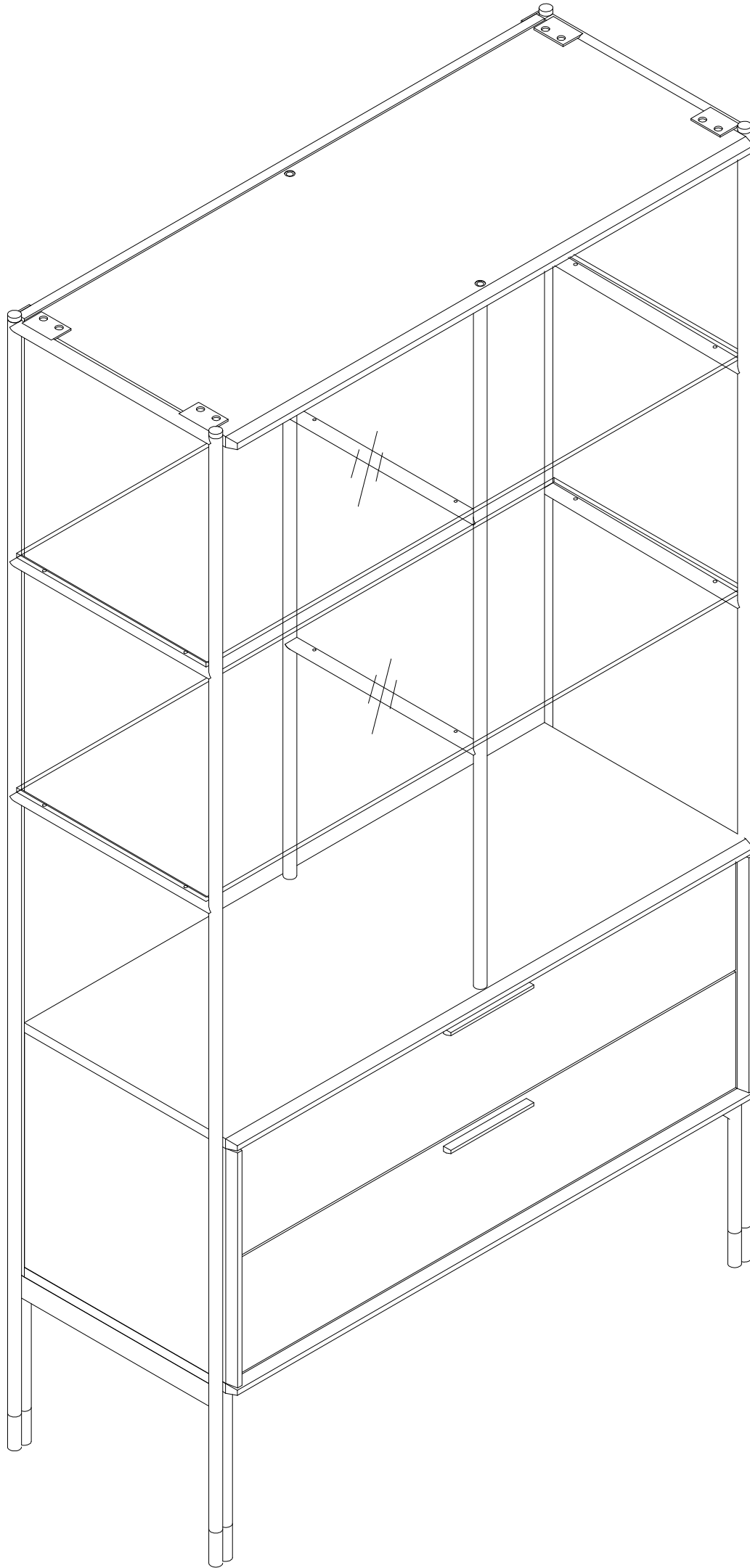
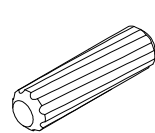
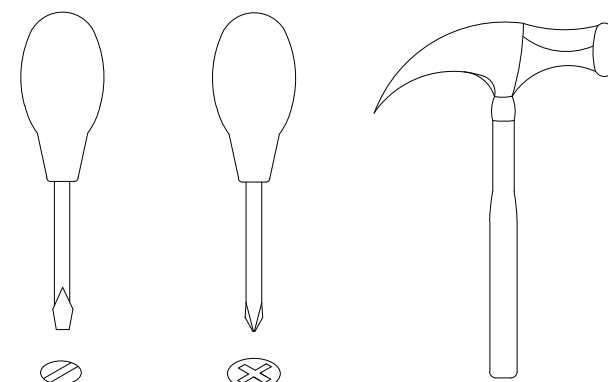
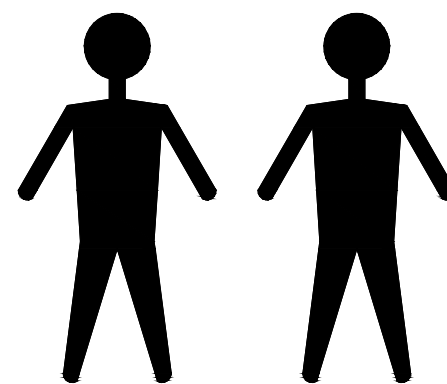


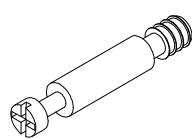
MDI. DC. BS. 30



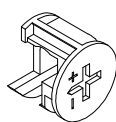
MDI. DC. BS. 30



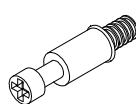
A x10
Spec: $\phi 8 * 30$



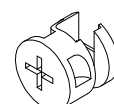
B x14
Spec: $\phi 7 * L30$



C x14
Spec: $\phi 15 * H12$



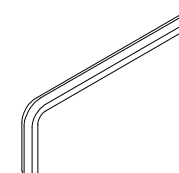
D x12
Spec: $\phi 6 * L28$



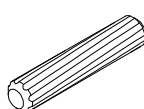
E x12
Spec: $\phi 12 * H9$



F x12
Spec: $\phi 6 * L9$



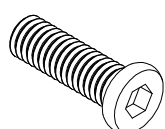
G x1
Spec: 5#



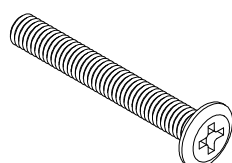
H x16
Spec: $\phi 6 * 30$



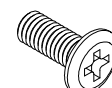
I x26
Spec: $\phi 14 * \phi 8$



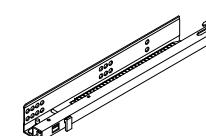
J x4
Spec: M8*25



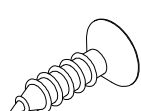
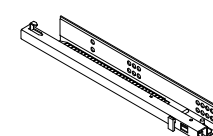
K x6
Spec: M6*50



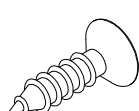
L x16
Spec: M6*15



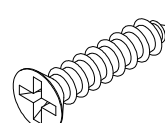
M x2
Spec: L350



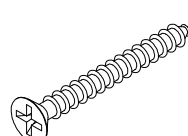
N x18
Spec: 3.8*L16



O x4
Spec: 3.8*L16



P x4
Spec: $\phi 3.8 * L25$



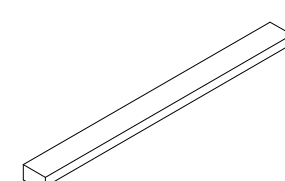
Q x8
Spec: $\phi 3.5 * L35$



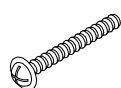
R x12
Spec:



S x14
Spec:



T x2
Spec: 169*15



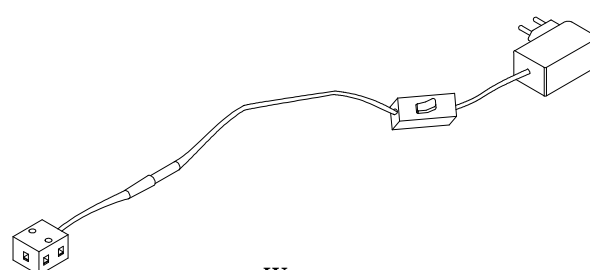
T1 x4
Spec: M4*L21



U x8
Spec: $\phi 15$



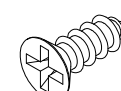
V x12
Spec:



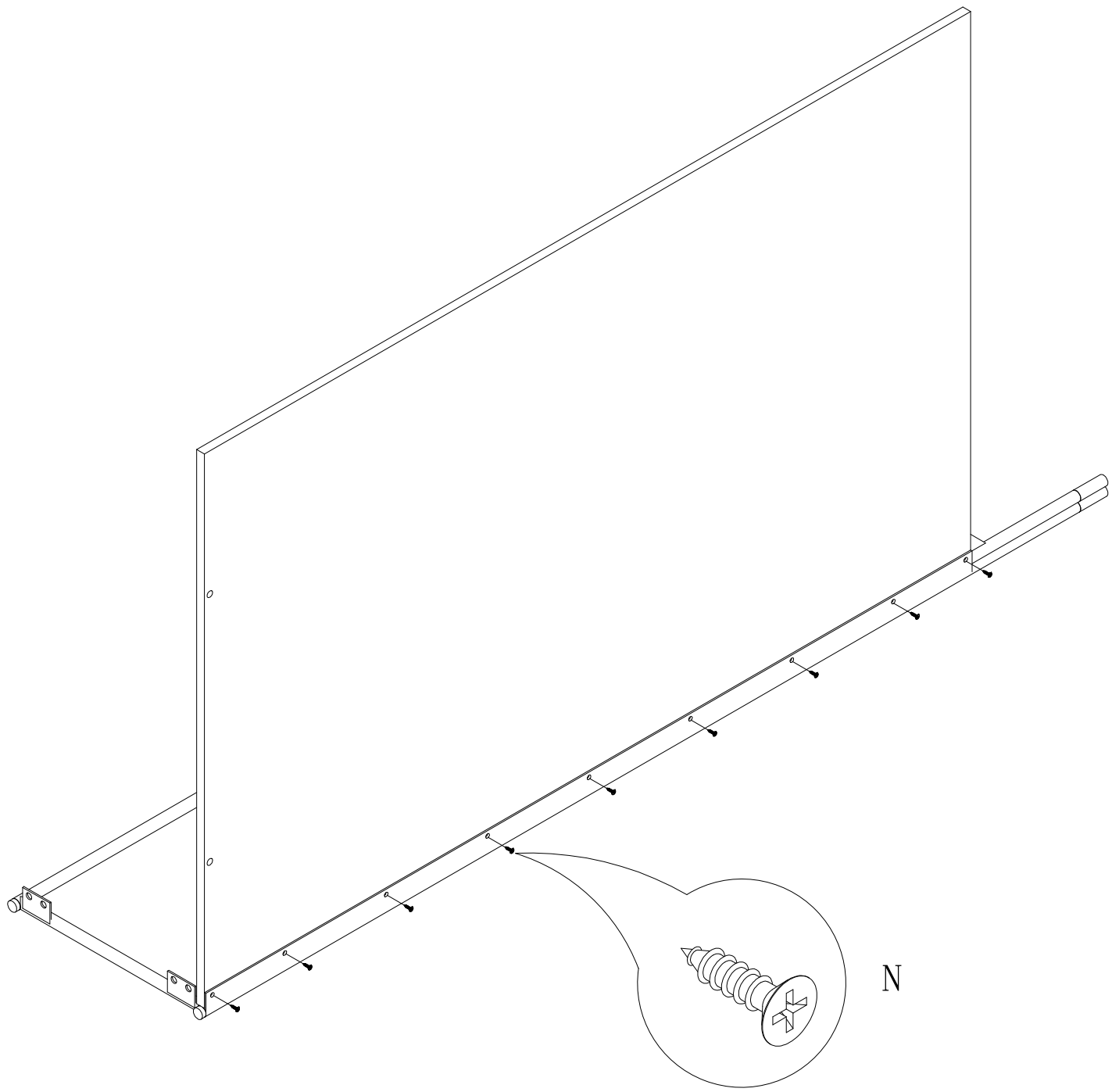
W x1
Spec:



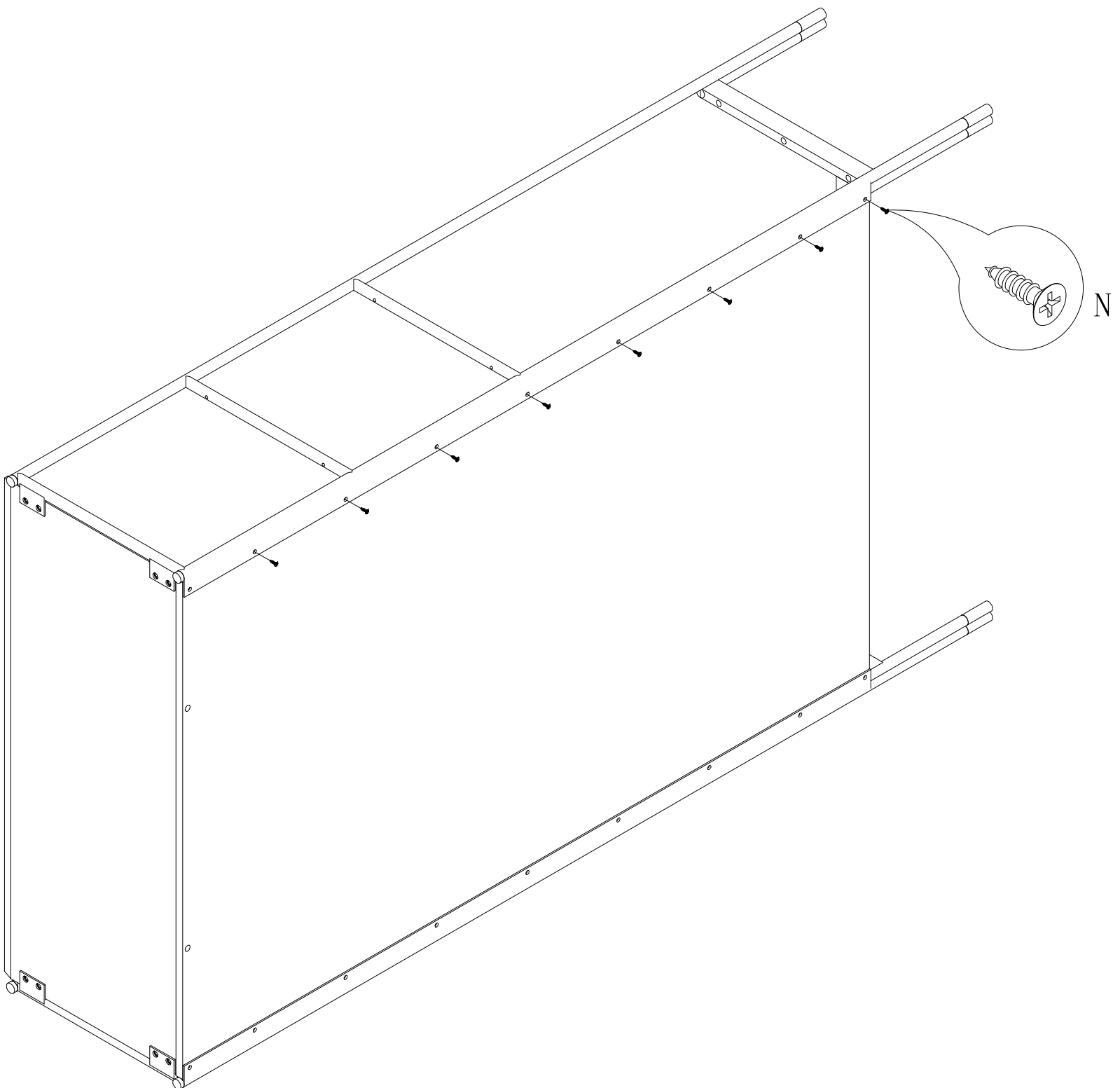
X x4
Spec:



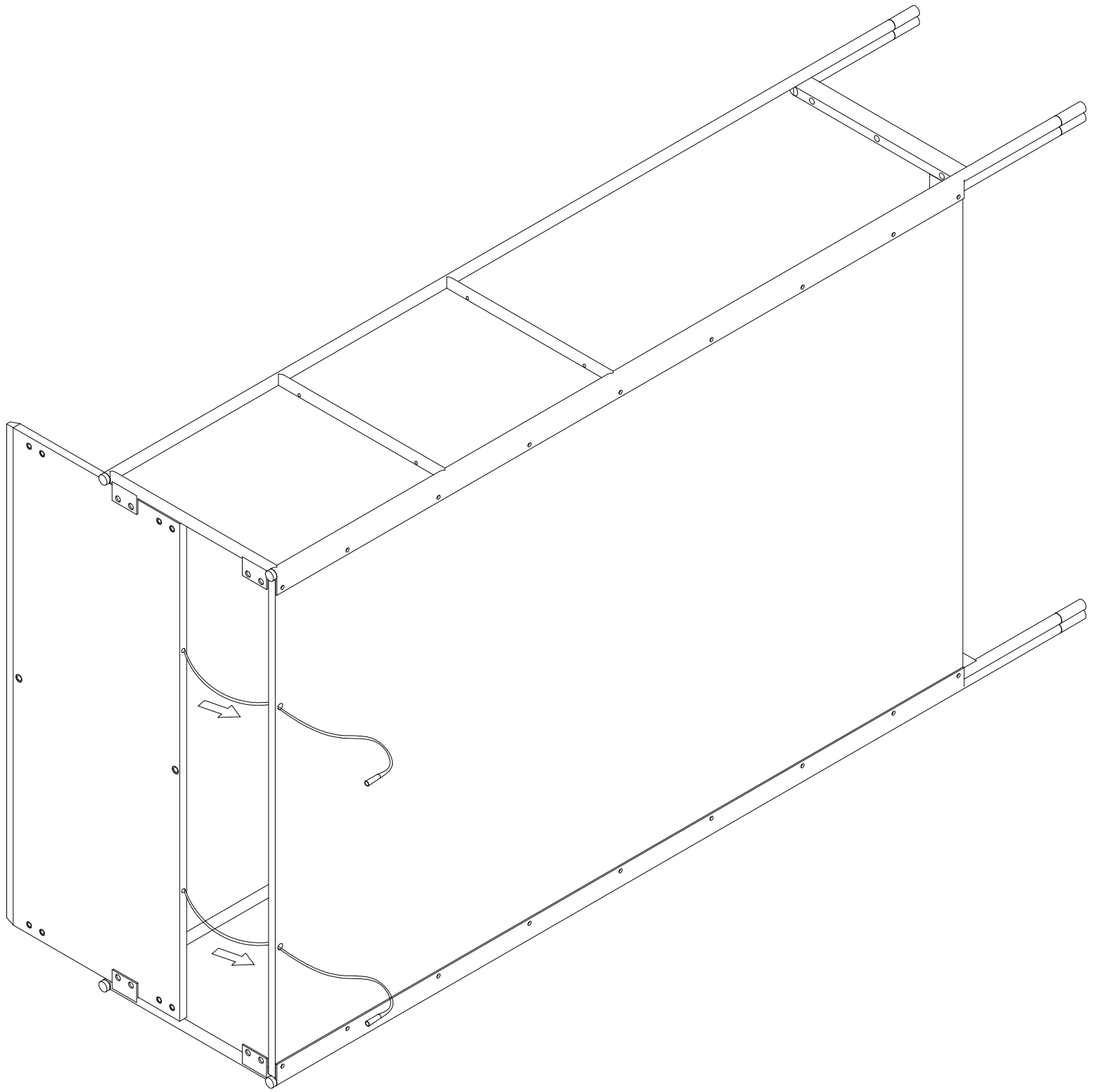
AAA x8
Spec: $\phi 3.8 * L12$



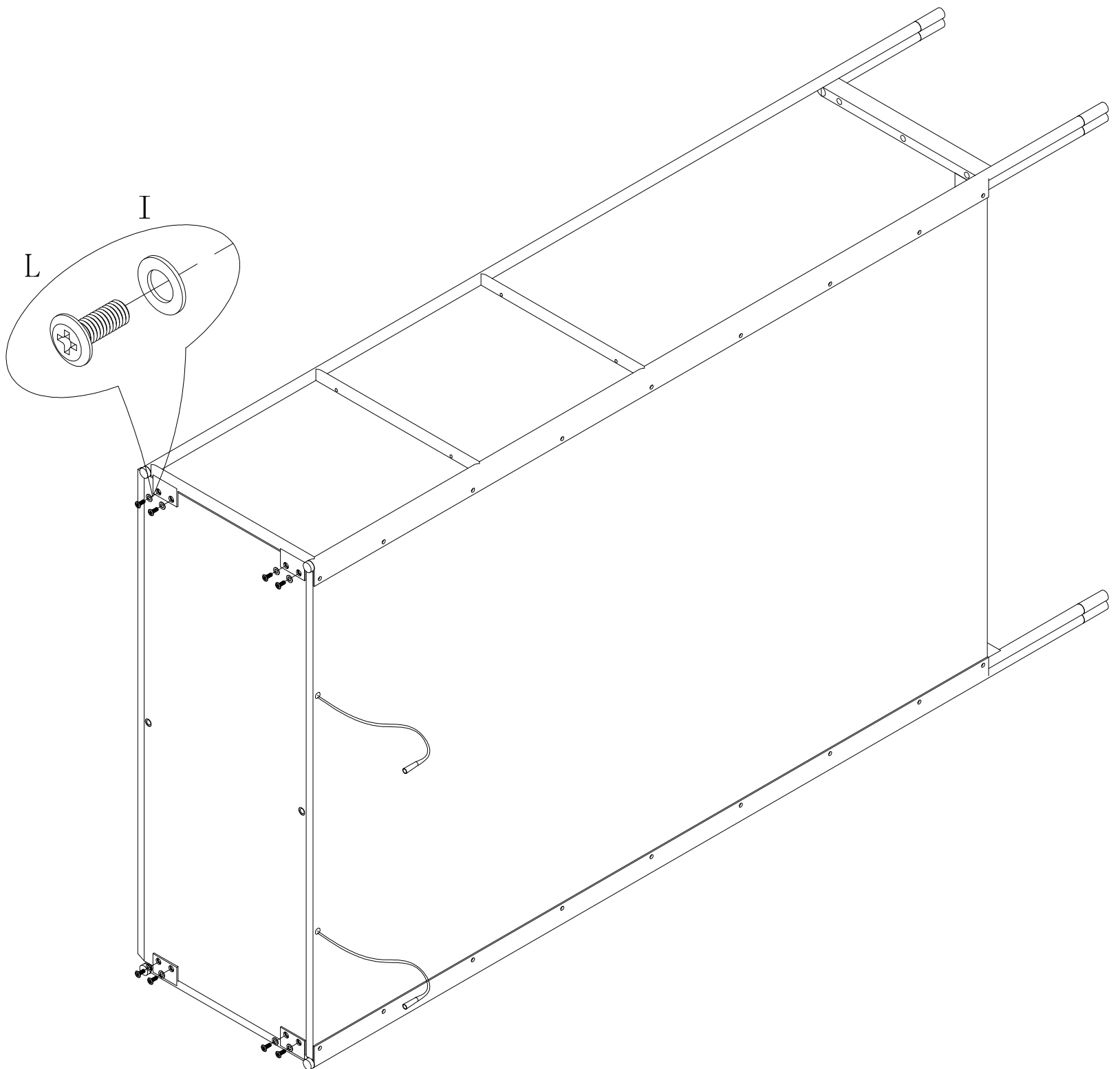
2

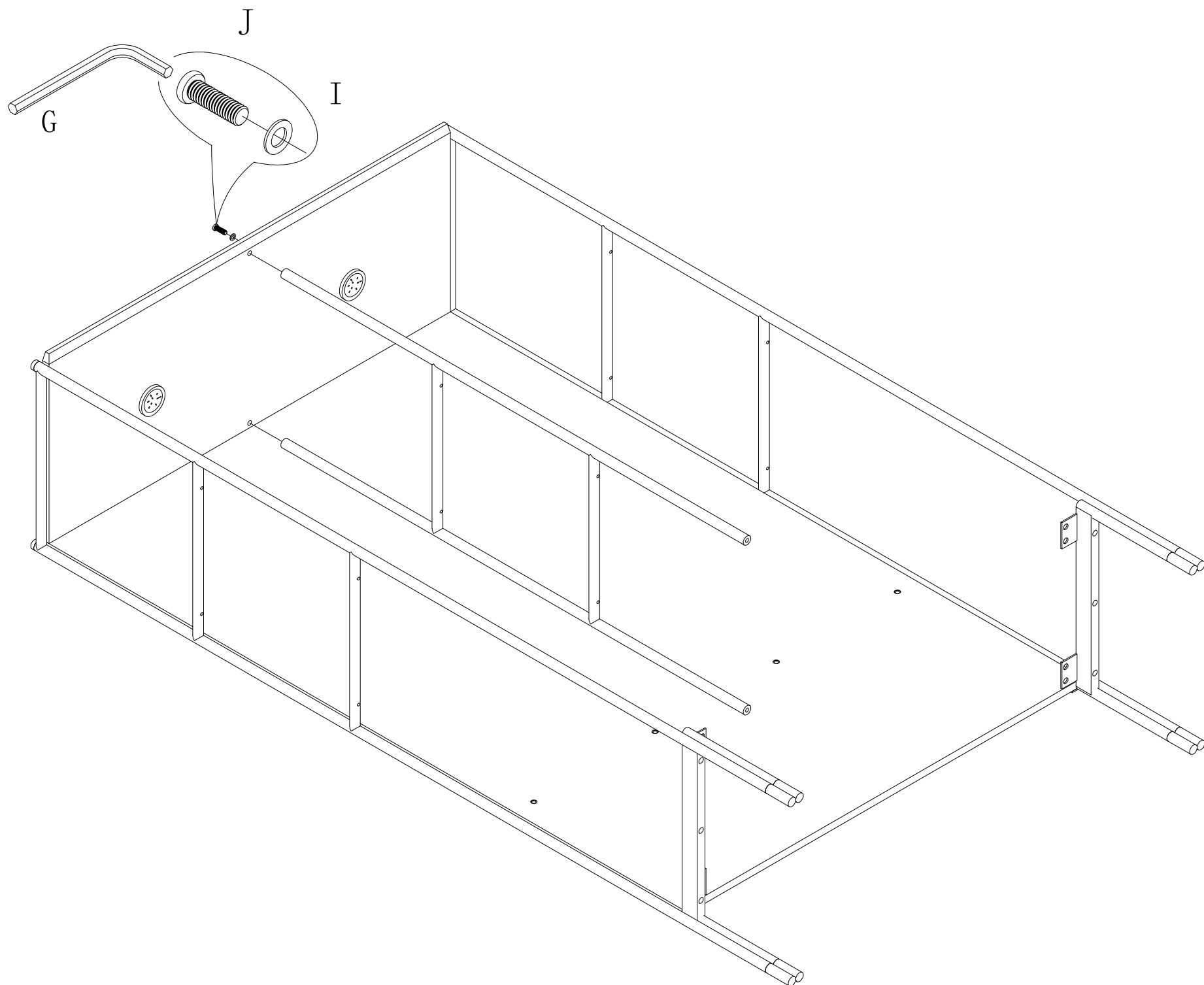


3



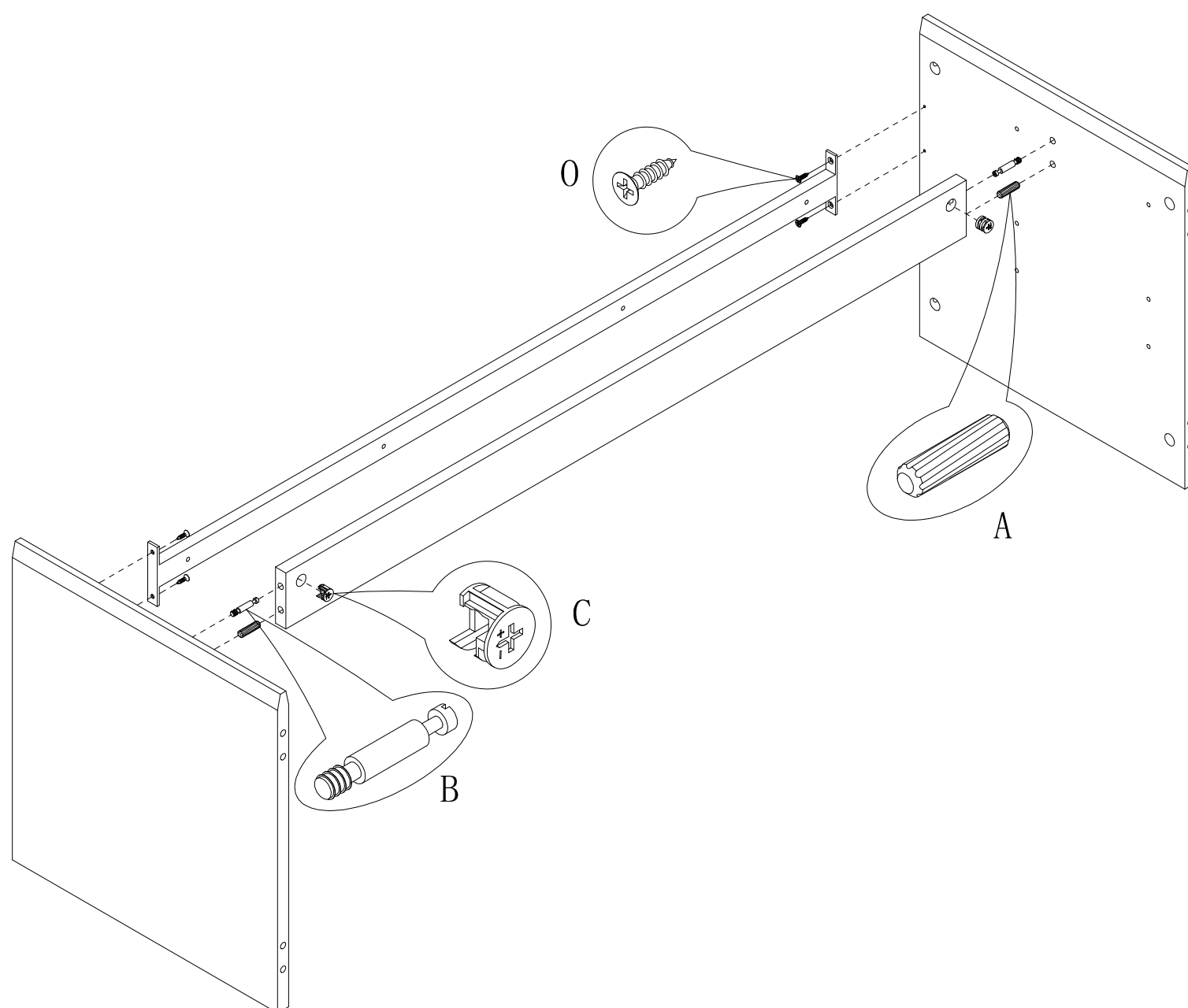
4

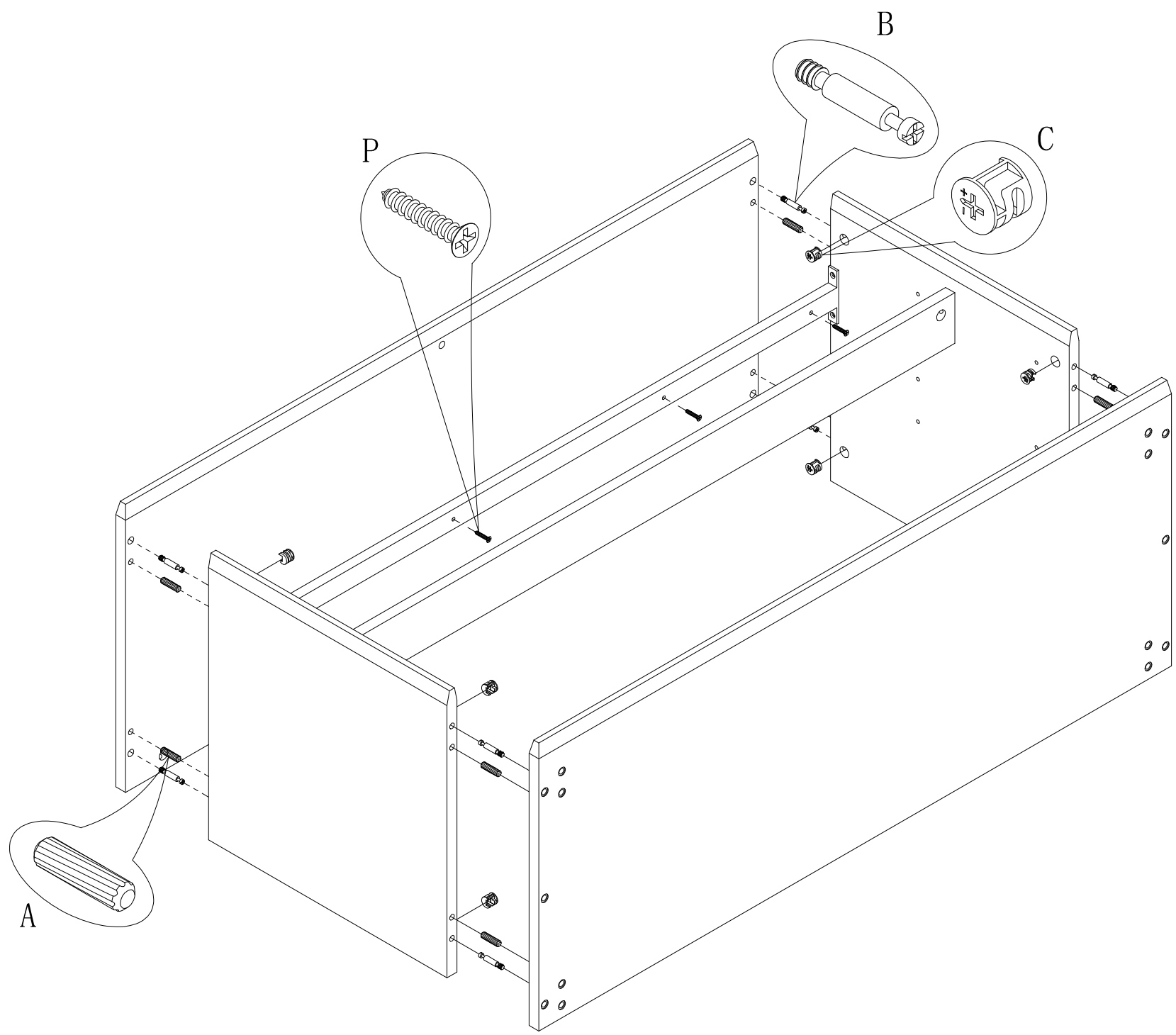




5

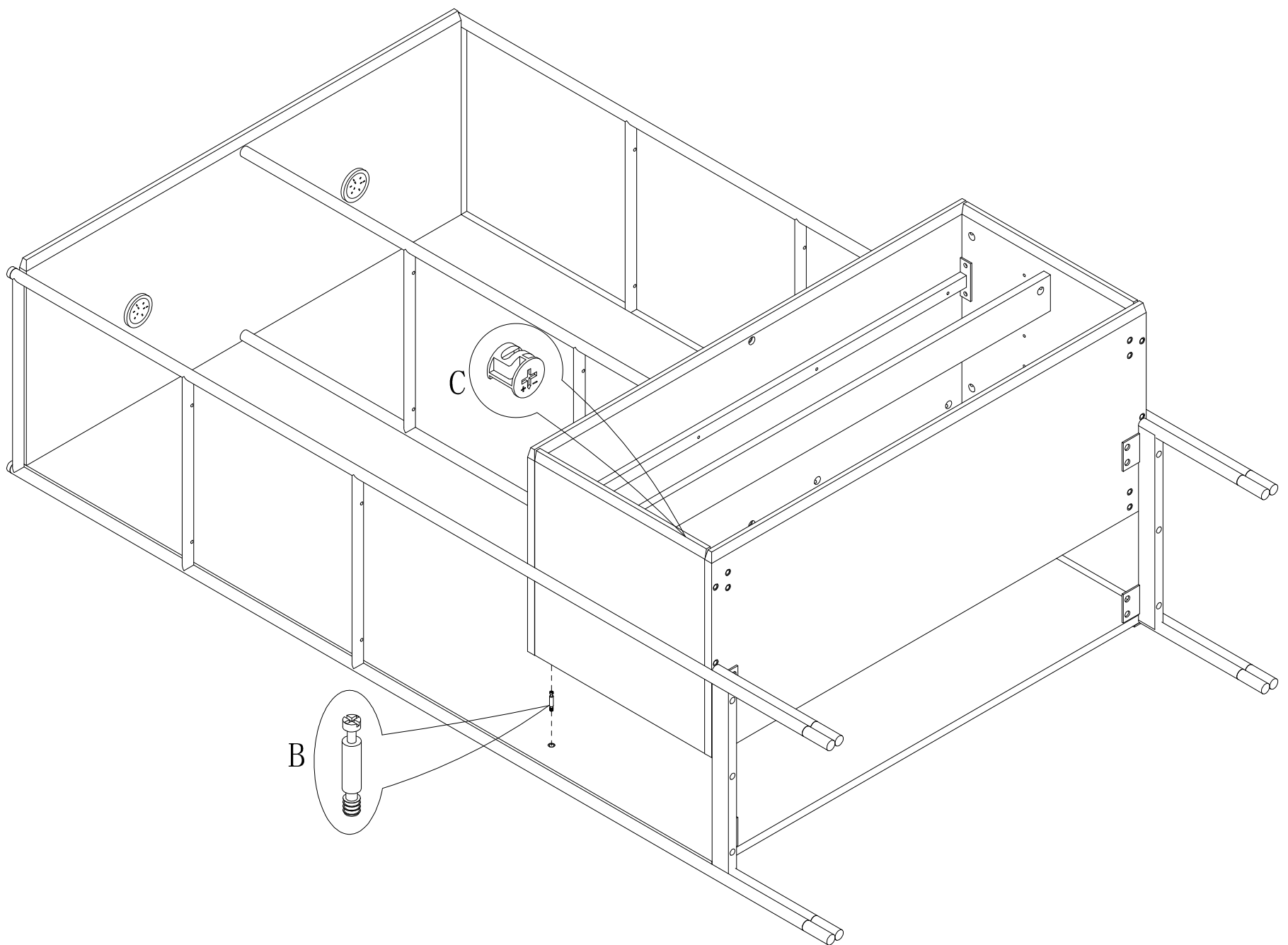
6

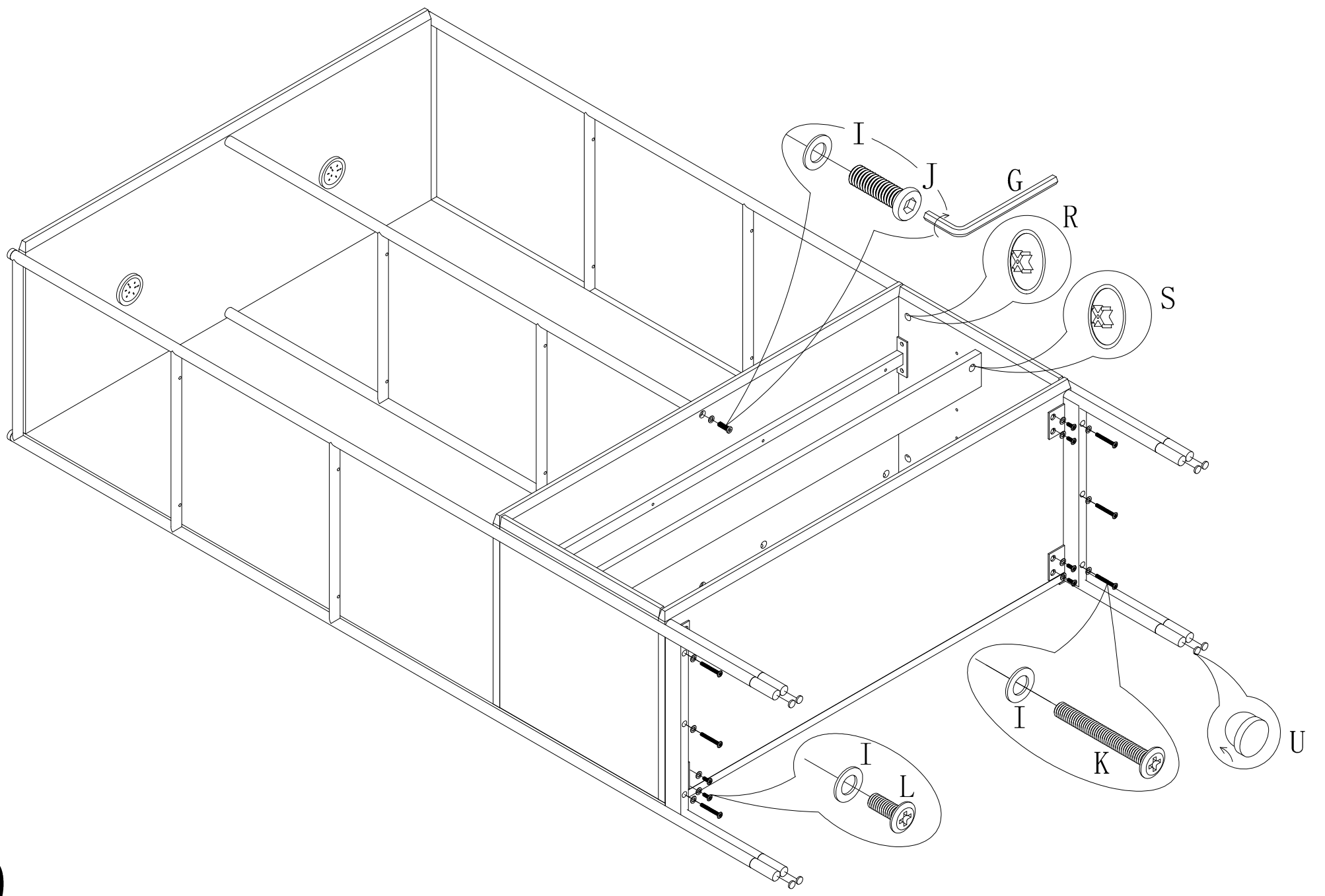




7

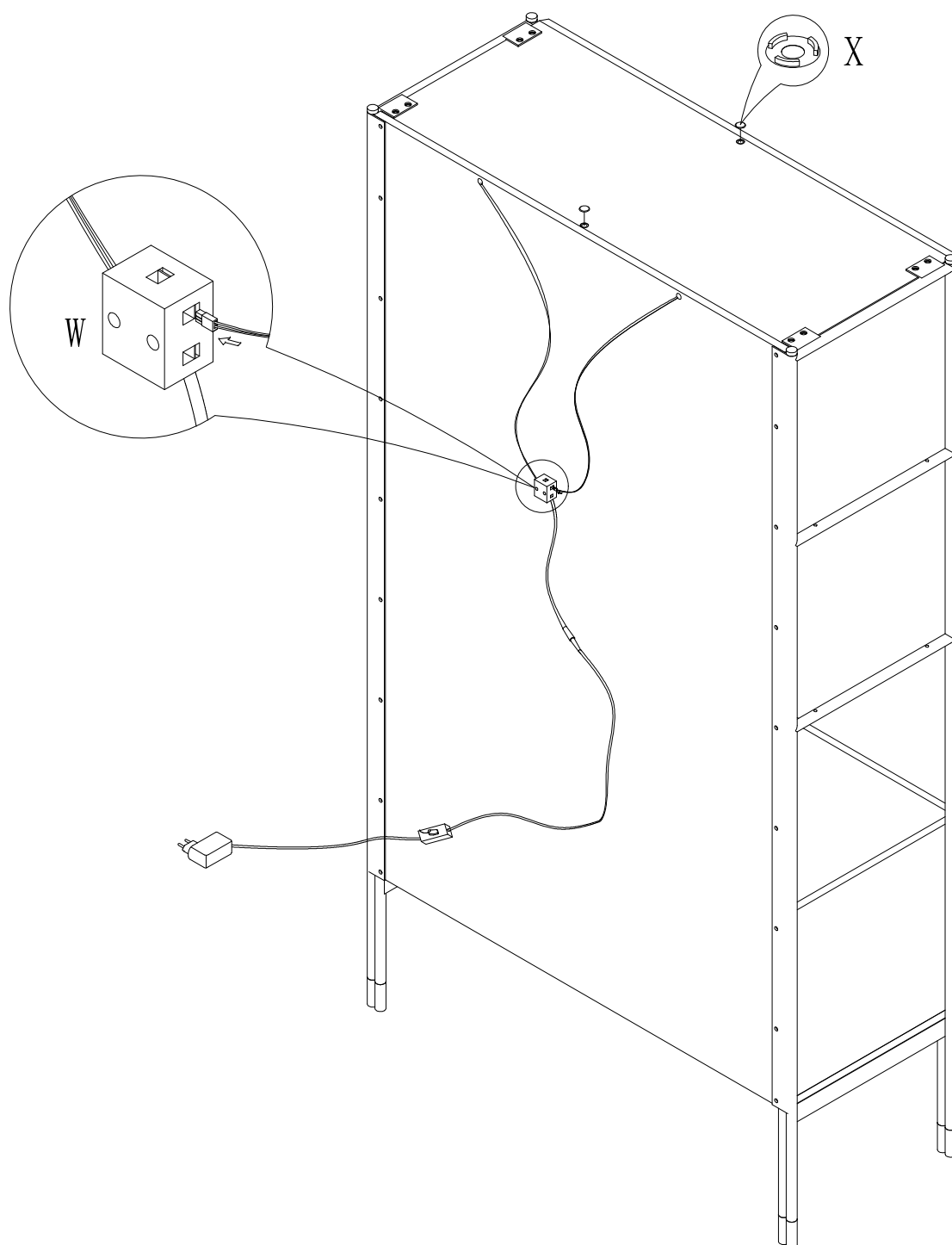
8

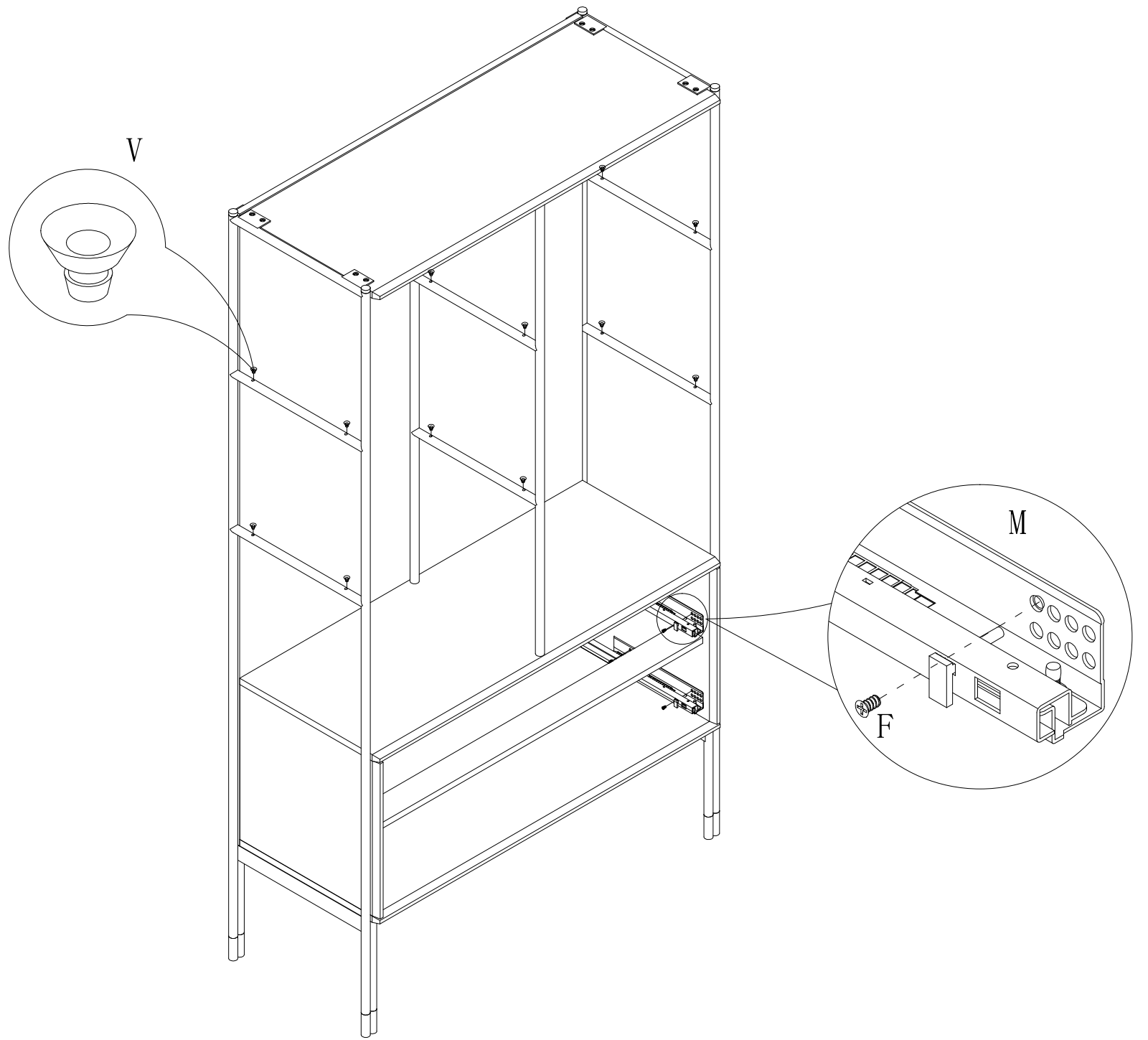




9

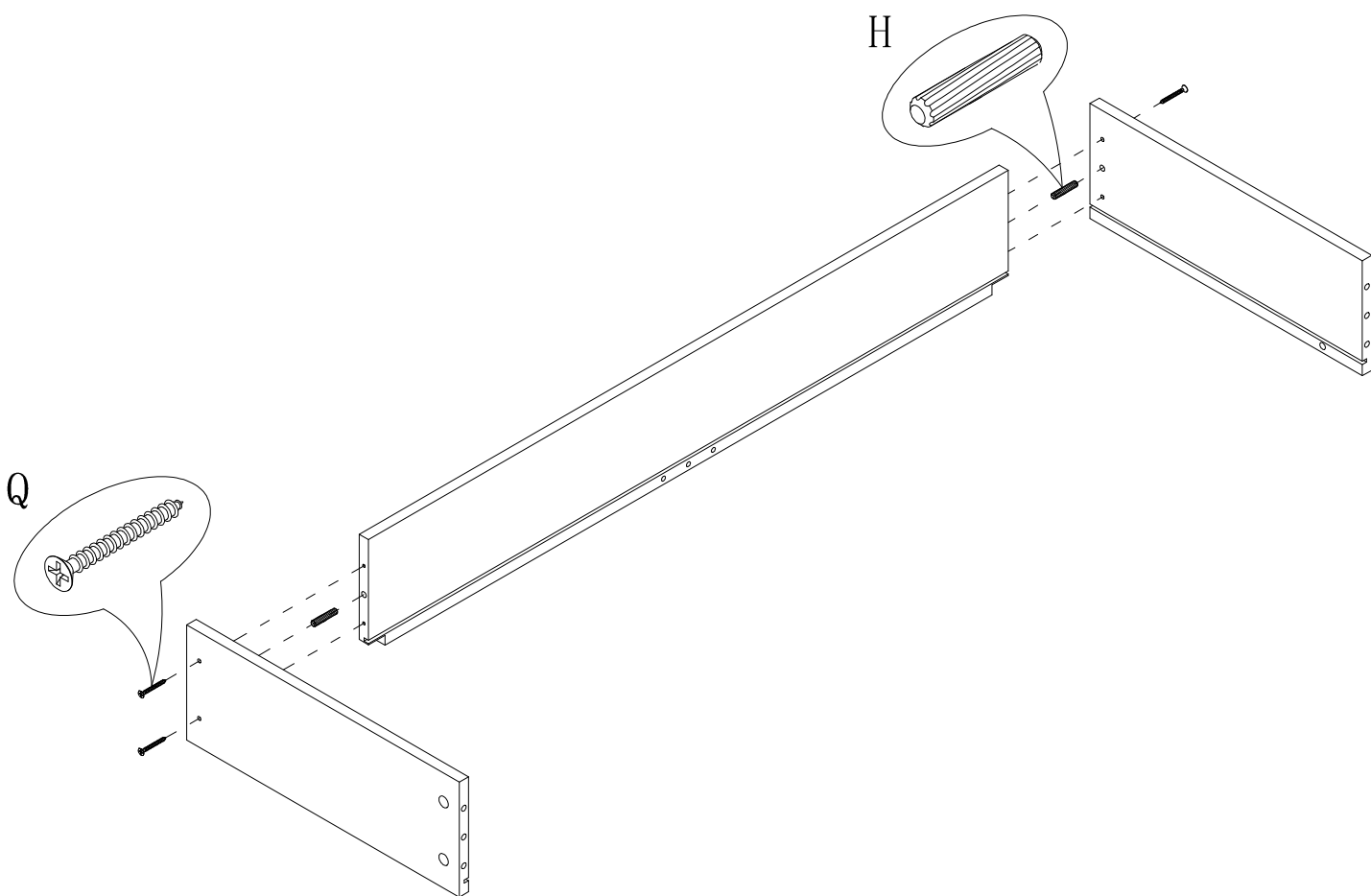
10

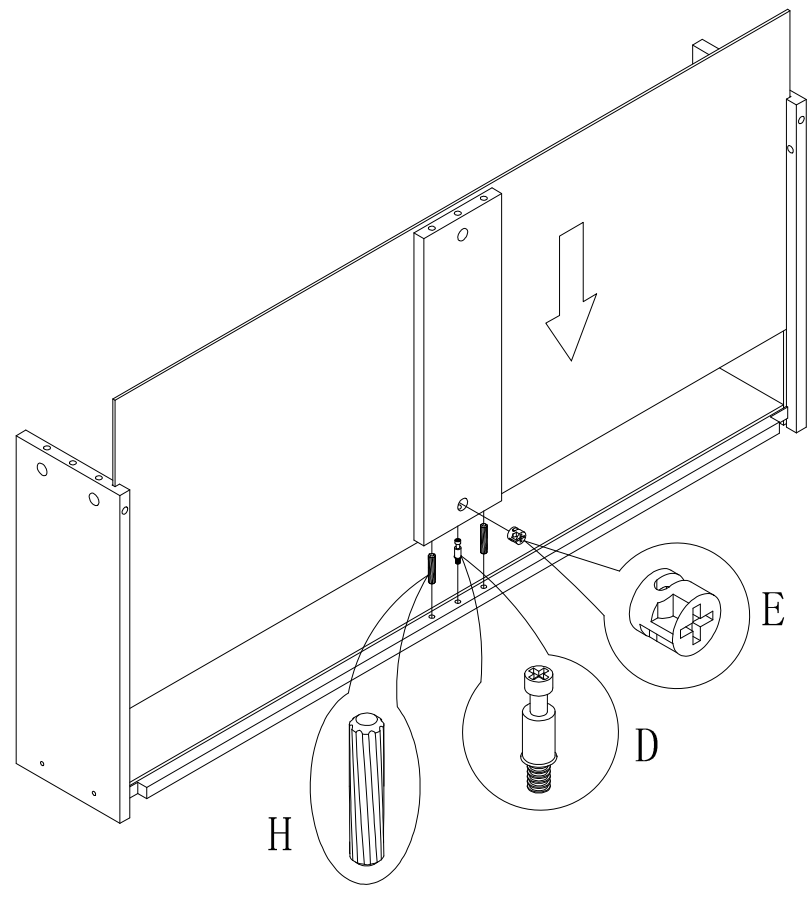




11

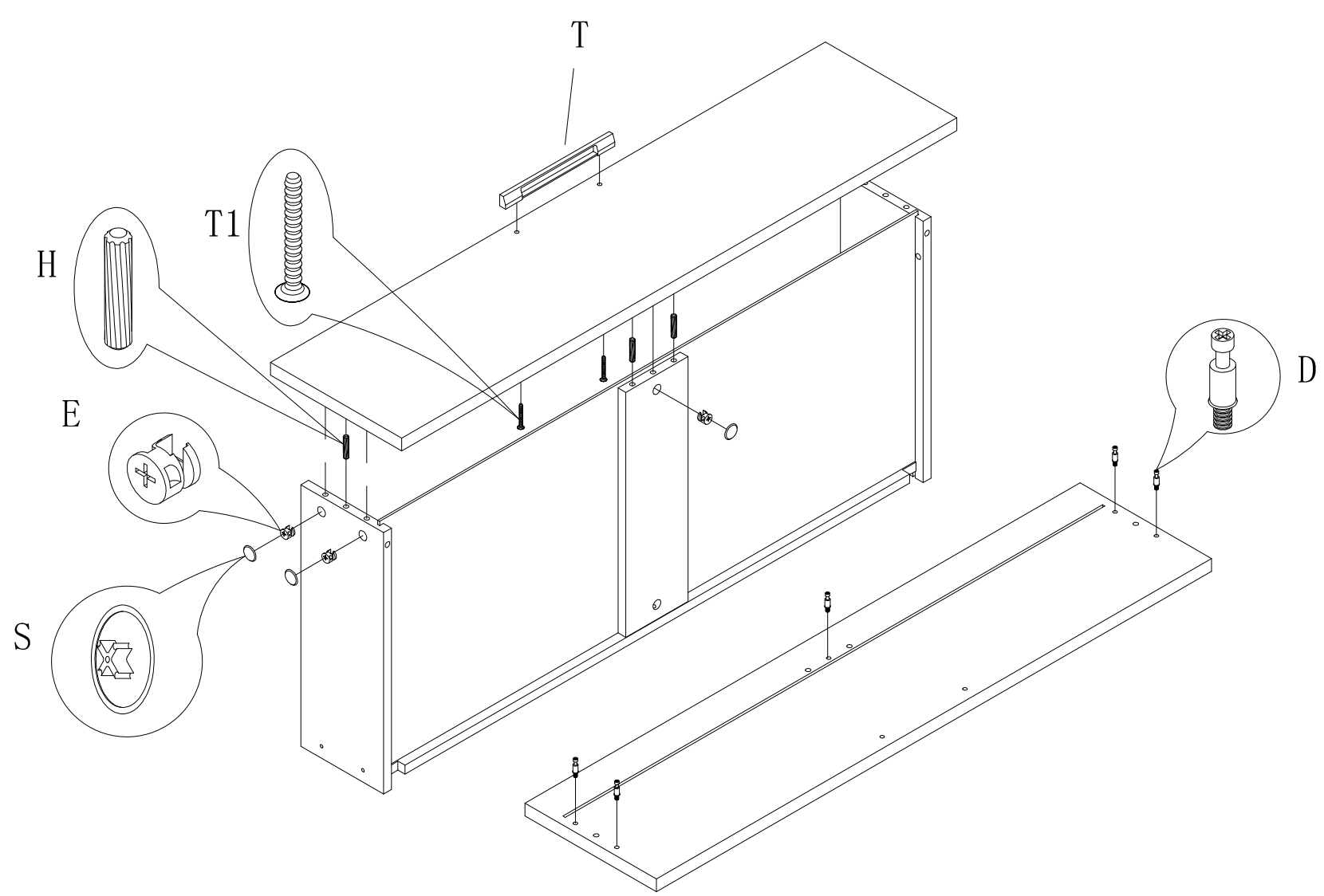
12

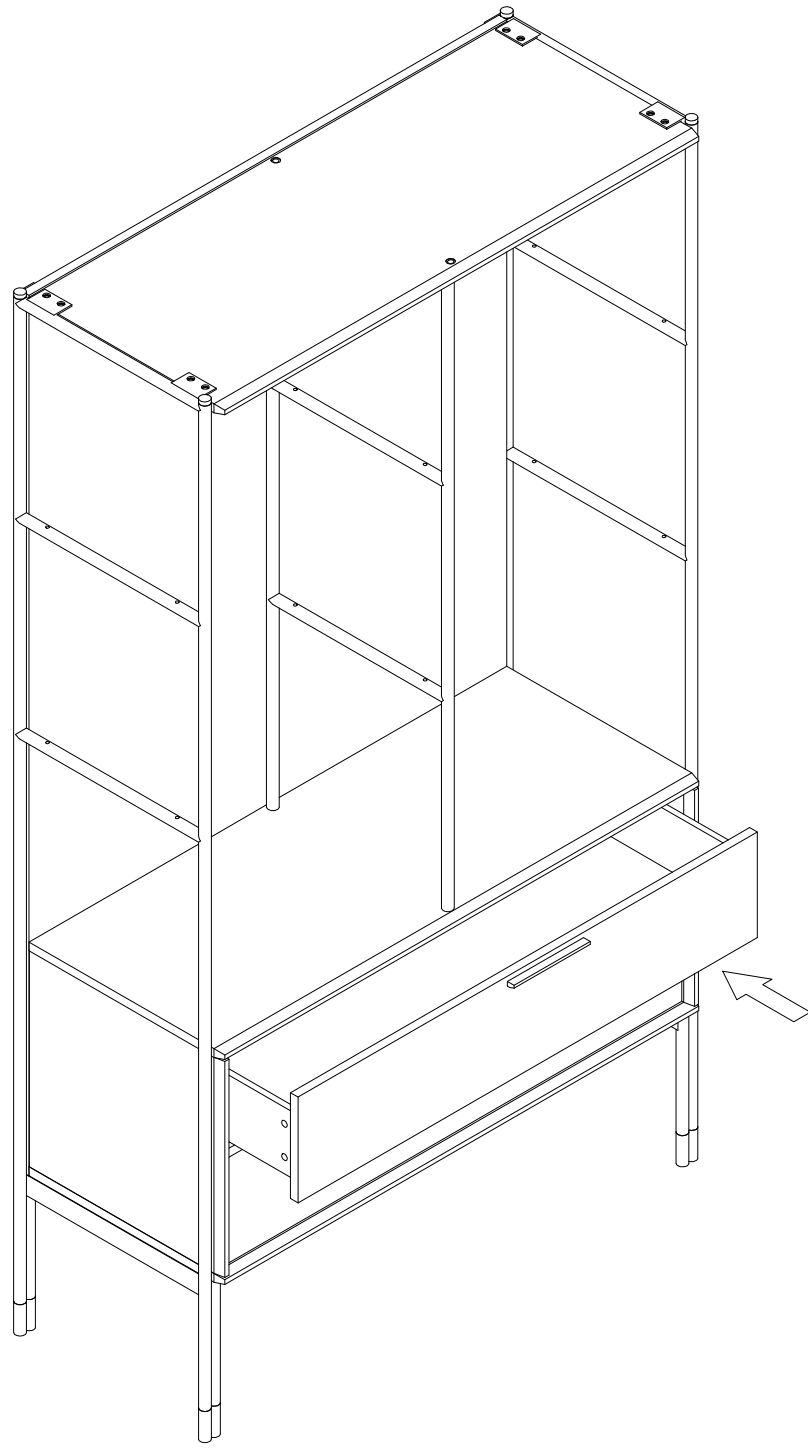




13

14





15

16

