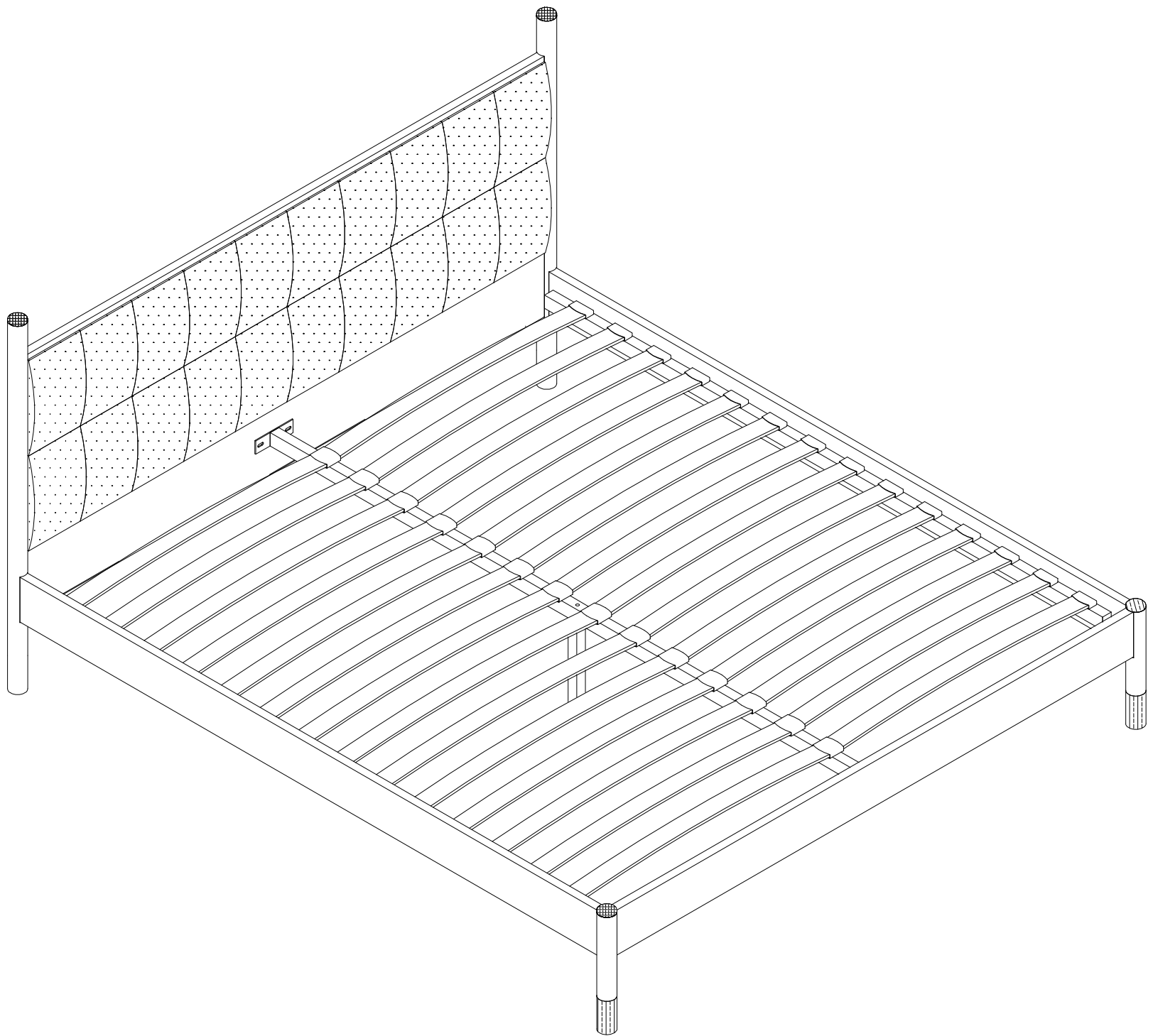
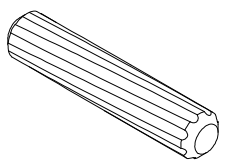
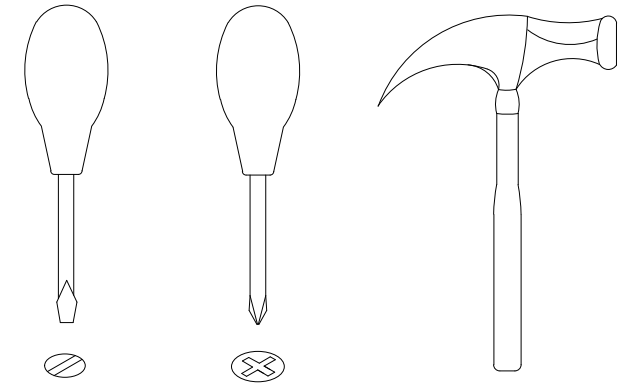
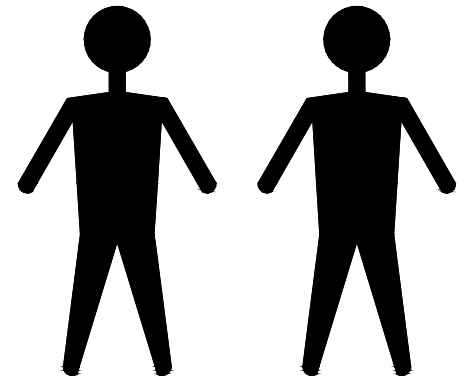


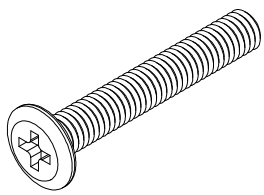
MDI. BD. BS. 1



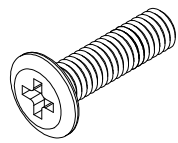
# MDI. BD. BS. 1



A x4  
Spec:  $\phi 10 \times 40$



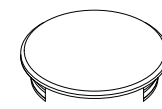
B x8  
Spec: M6\*45



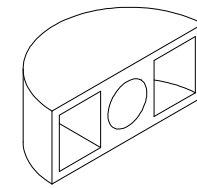
C x4  
Spec: M6\*20



D x8  
Spec: M8\*L95



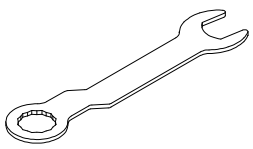
E x8  
Spec:  $\phi 38$



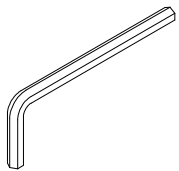
F x8  
Spec:



G x8  
Spec: M8



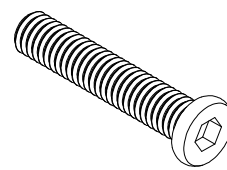
H x1  
Spec: 14#



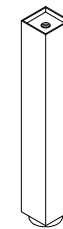
I x1  
Spec: 5#



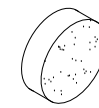
J x13  
Spec:  $\phi 8 \times \phi 18$



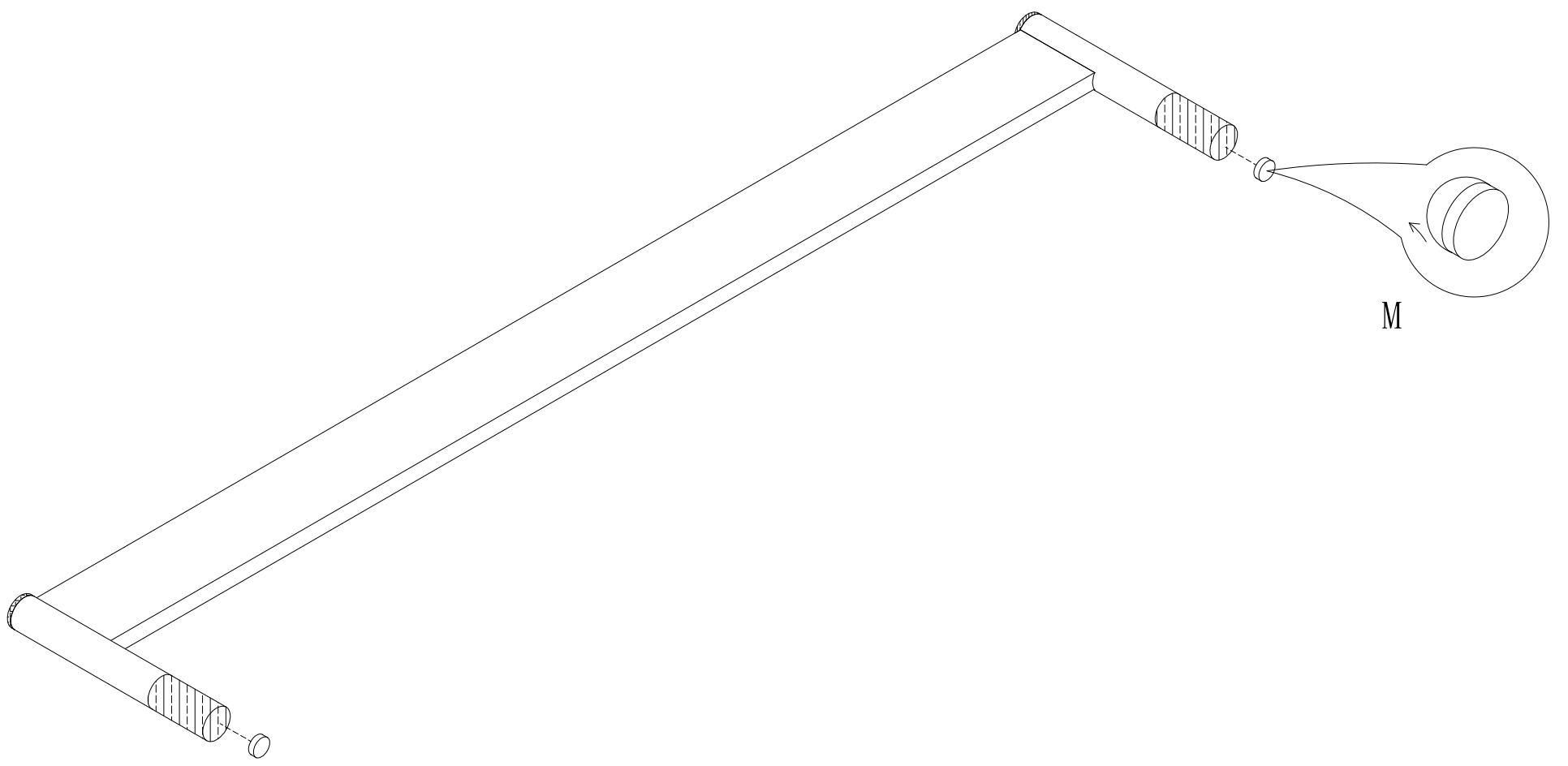
K x1  
Spec: 5/16\*L60



L x1  
Spec: L260

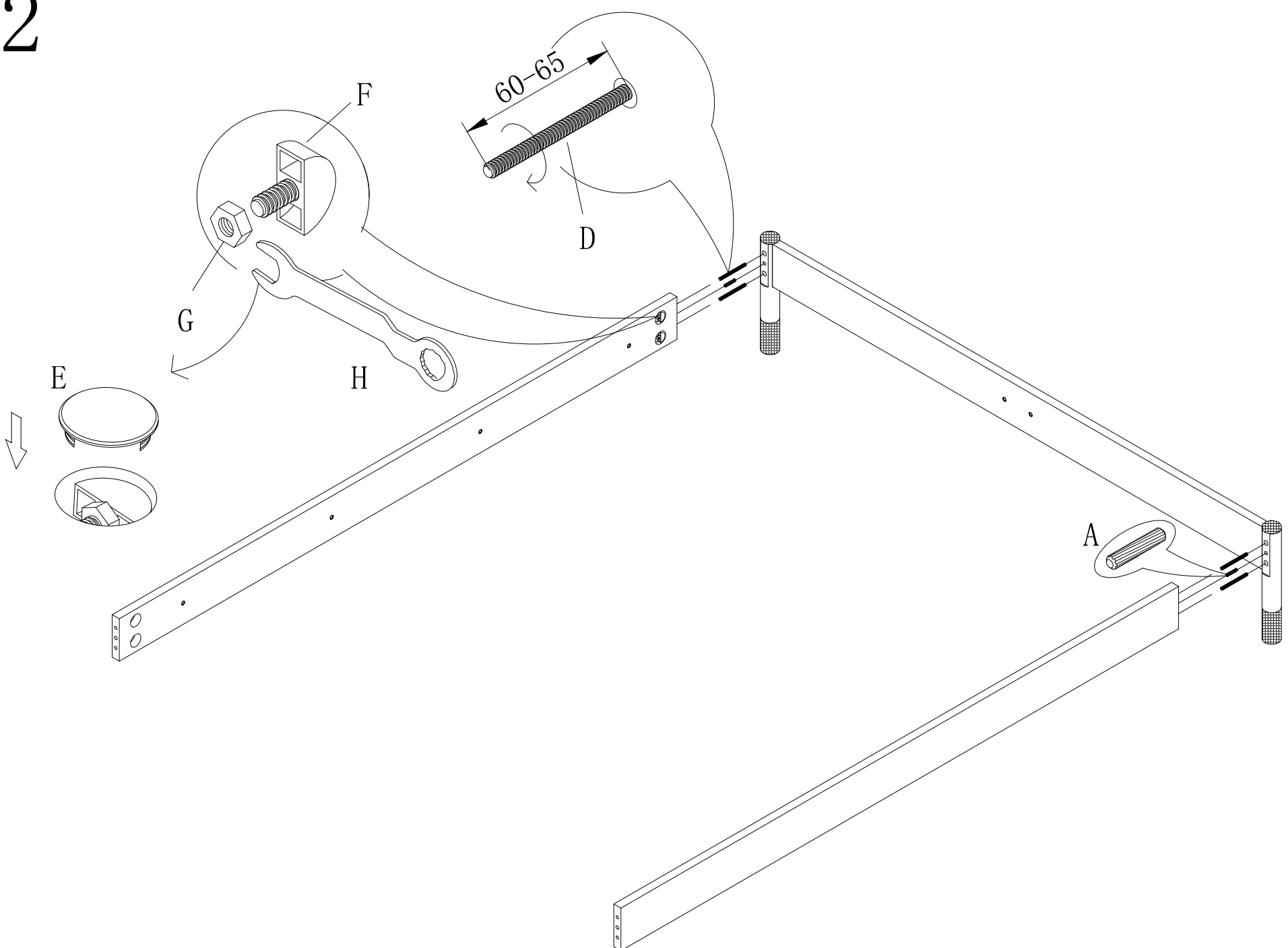


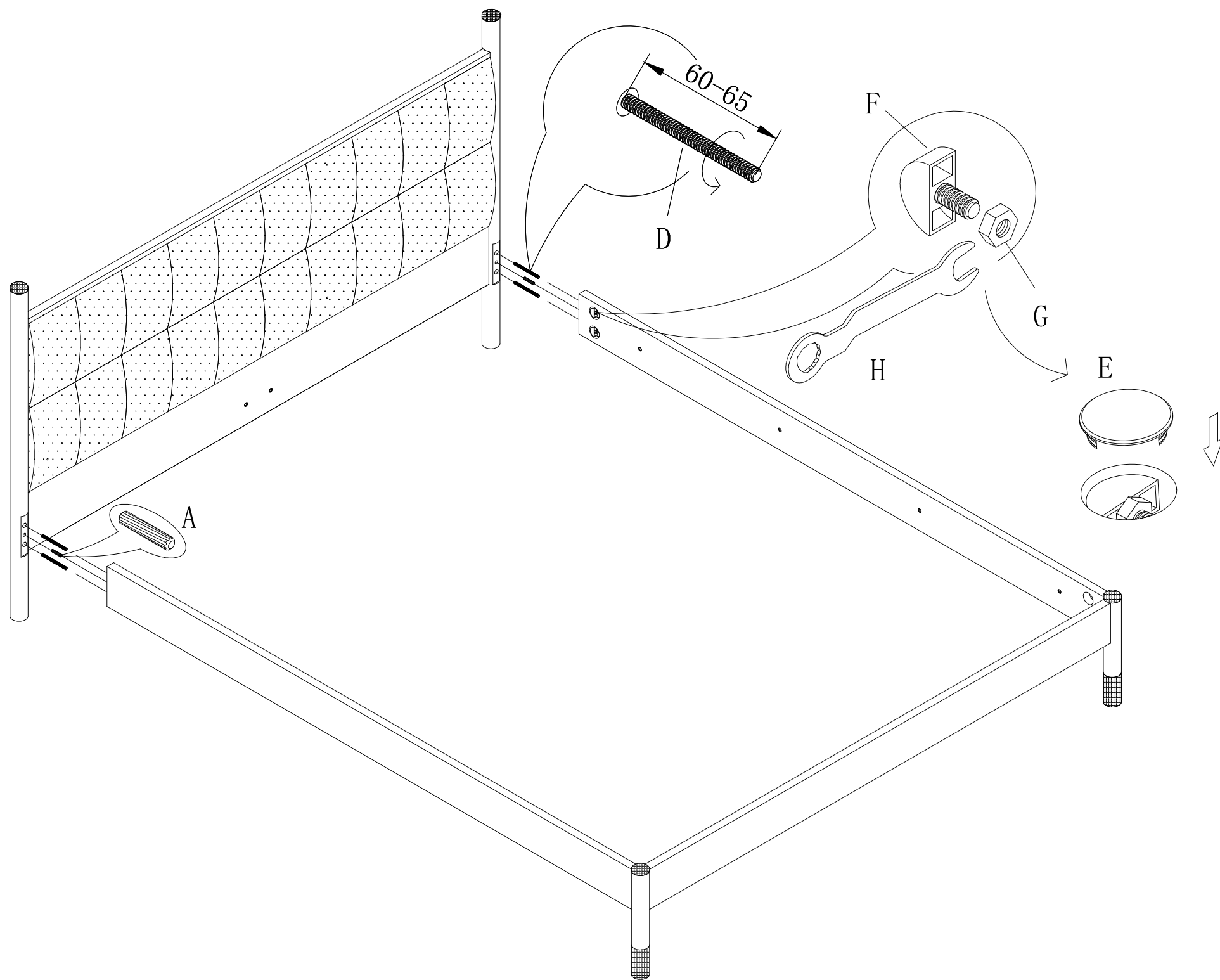
M x2  
Spec:  $\phi 25$



1

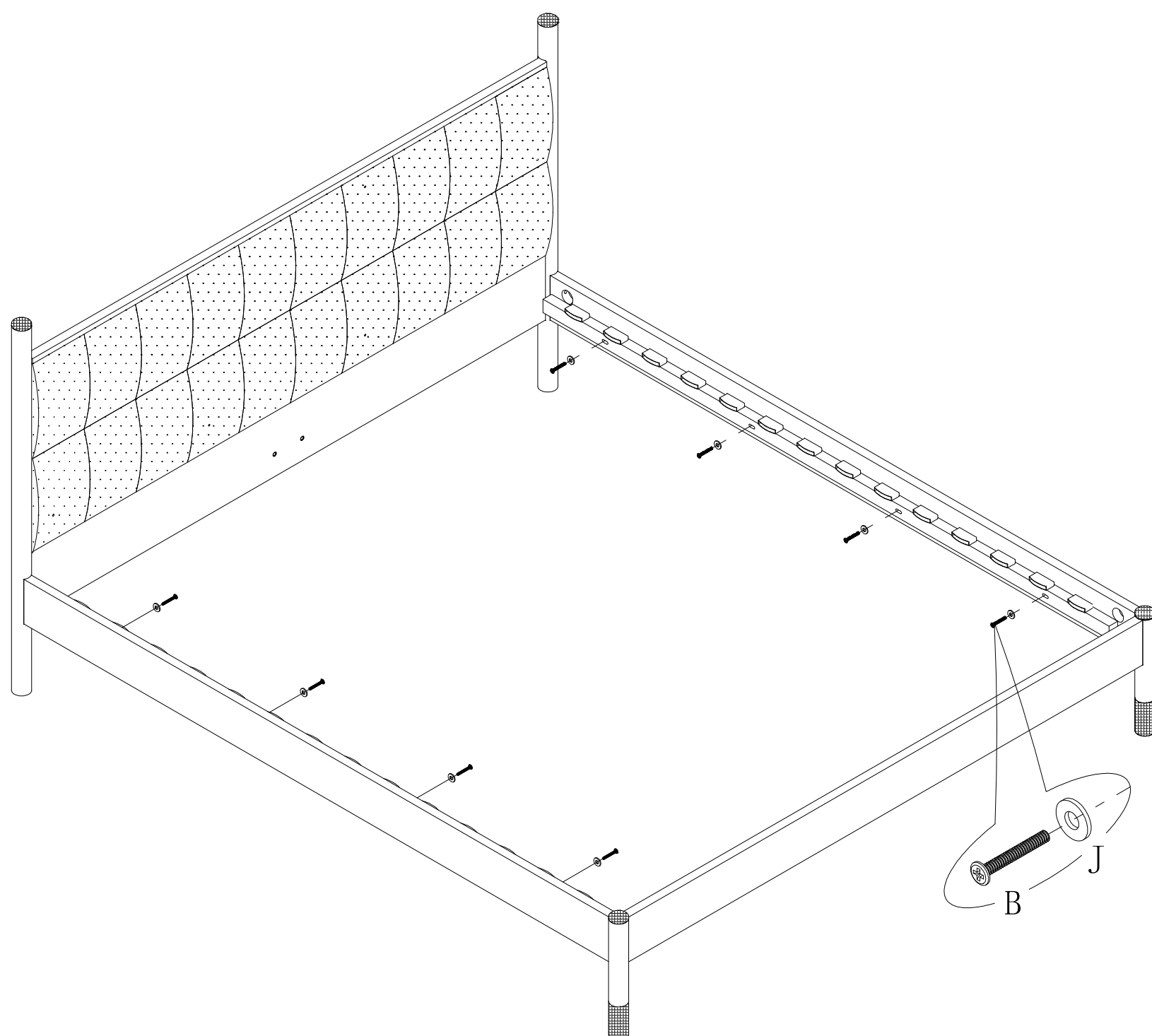
2

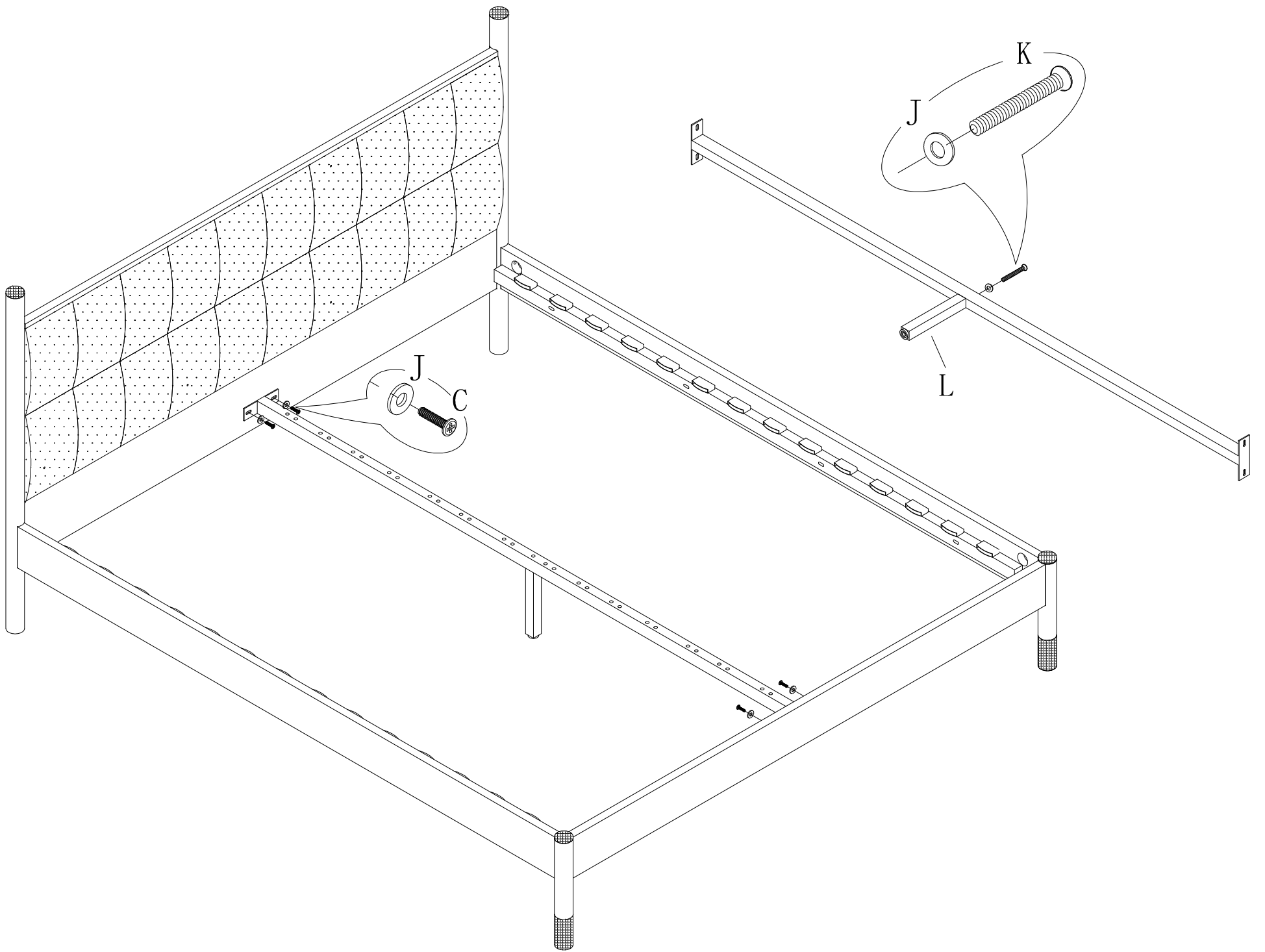




3

4





5

6

