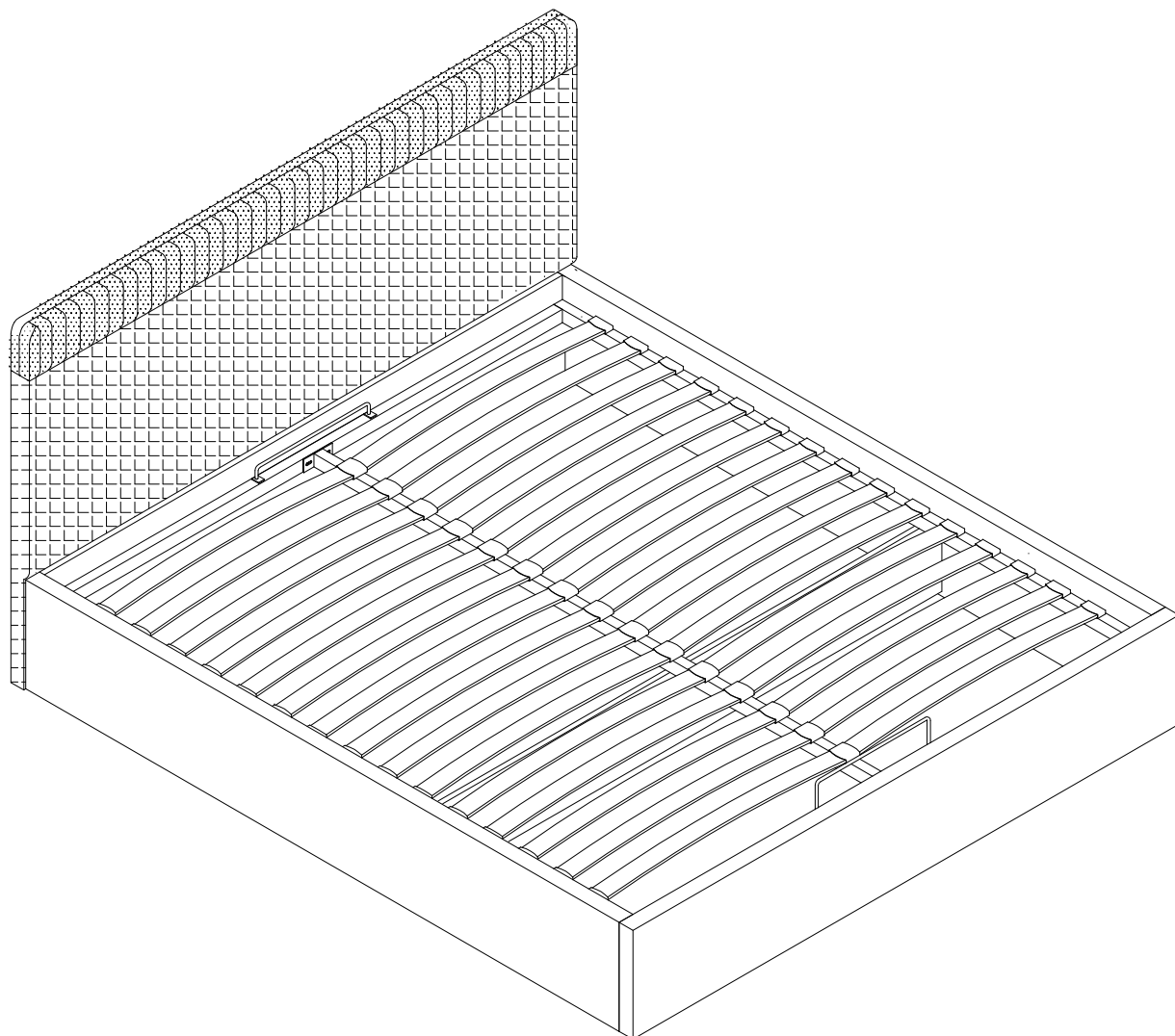
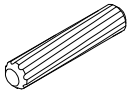
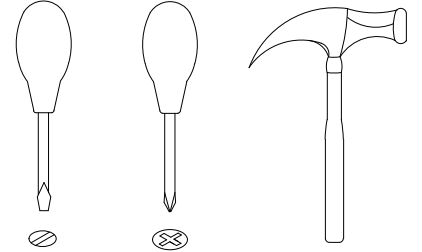
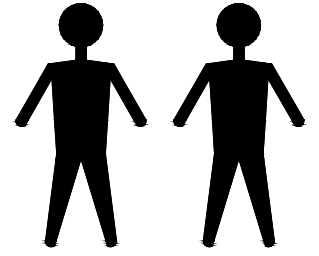


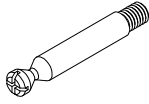
MDI. BD. MN. 2



MDI. BD. MN. 2



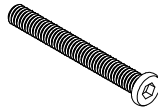
A x8
Spec: $\phi 10 * L40$



B x12
Spec: $\phi 7 * L48$



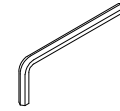
C x12
Spec: $\phi 15 * H15$



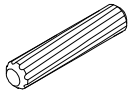
D x4
Spec: $5/16 * L75$



E x4
Spec: $5/16 * H18$



F x1
Spec: 5#



G x8
Spec: $\phi 8 * L30$



H x8
Spec: $M8 * L45$



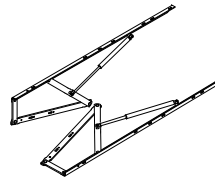
I x12
Spec: $M6 * L30$



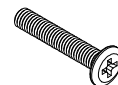
J x16
Spec: $\phi 8 * \phi 14$



K x8
Spec: $\phi 8 * \phi 18$



L x1
Spec: $L1220\text{mm}$
(120KG)



M x6
Spec: $M6 * L50$



N x10
Spec: M6



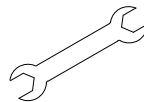
O x8
Spec: $M6 * L50$



P x4
Spec: M6



Q x4
Spec: $\phi 6 * \phi 18$



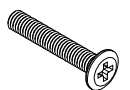
R x1
Spec: 10mm



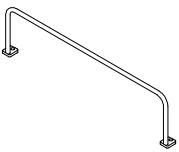
S x8
Spec: $30 * 30\text{mm}$



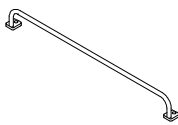
T x4
Spec: $75 * 13\text{mm}$



U x4
Spec: $M6 * L55$



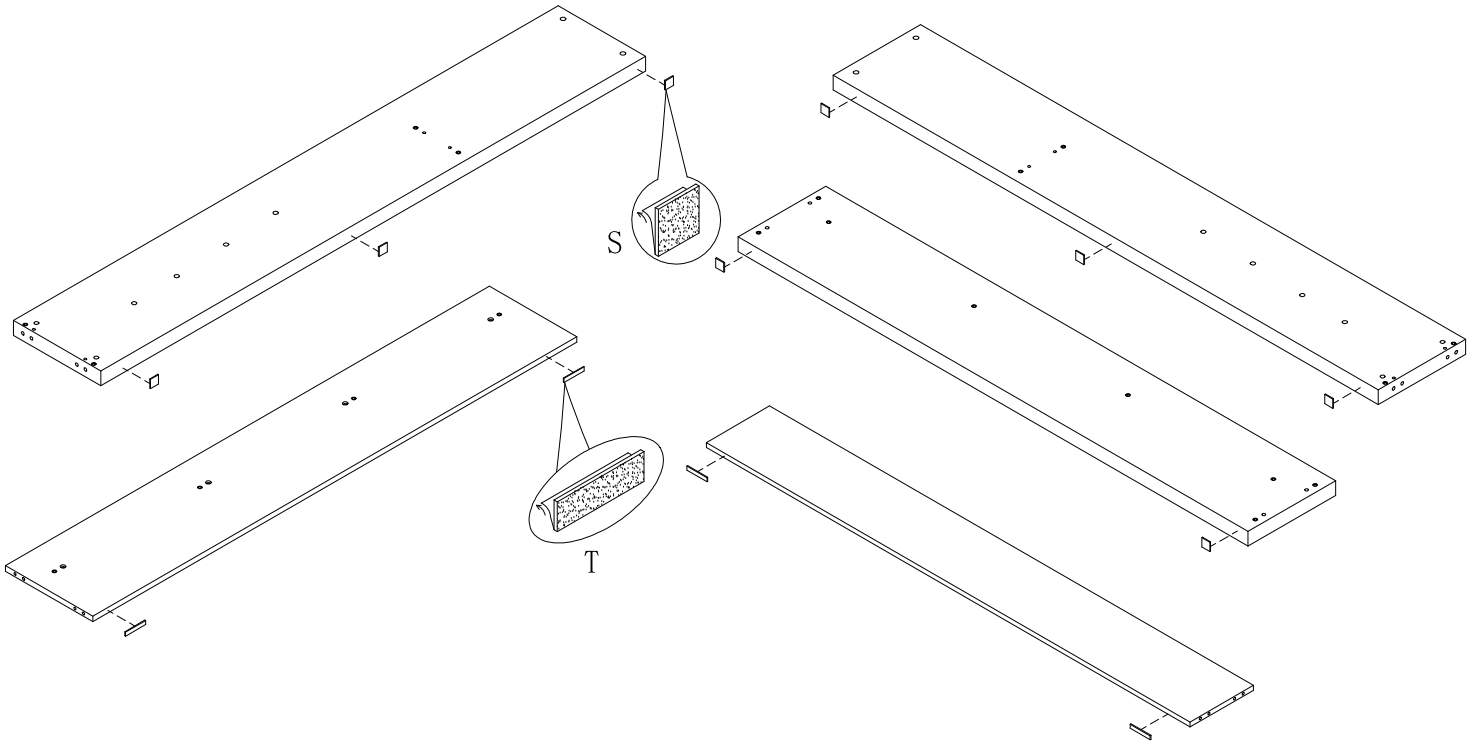
V x1
Spec: L410mm



W x1
Spec: L410mm

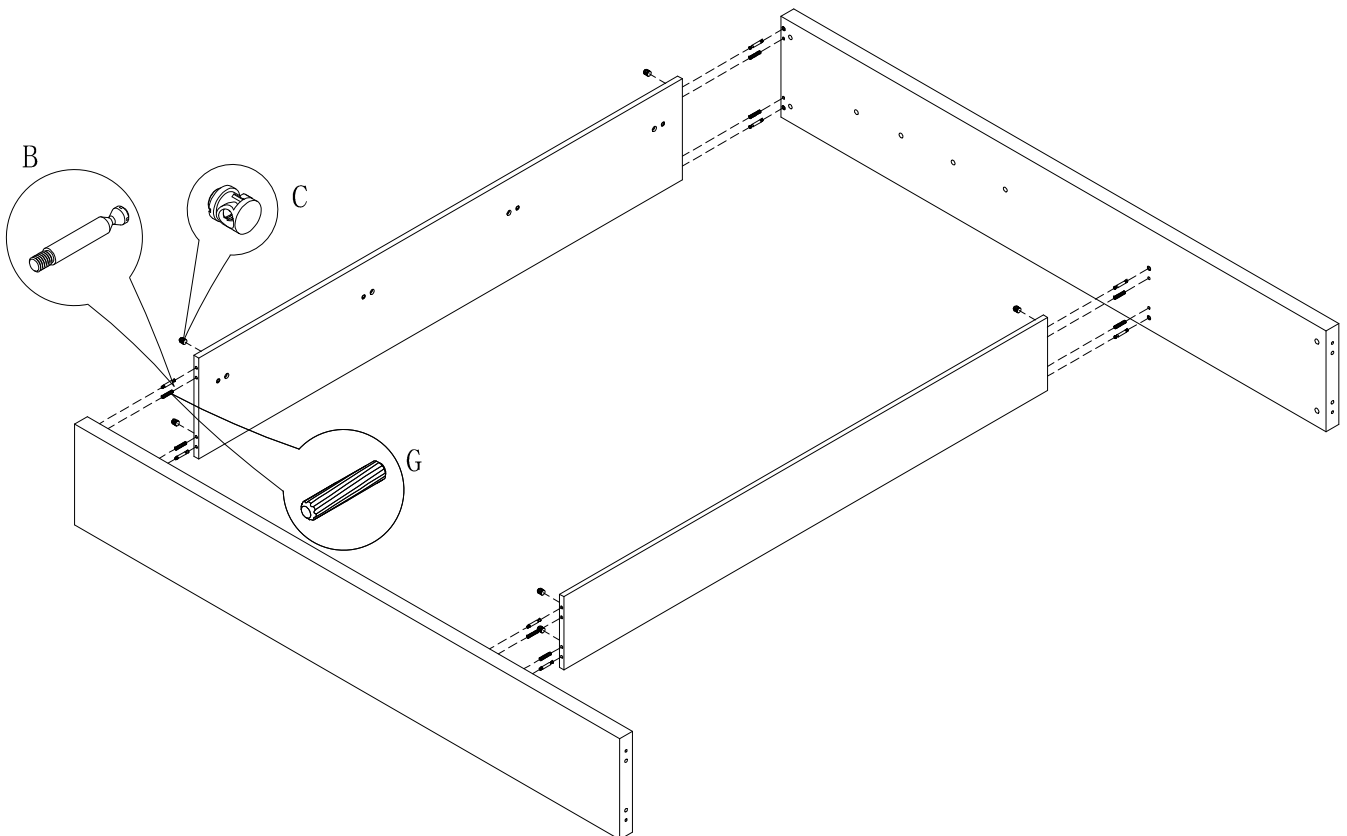


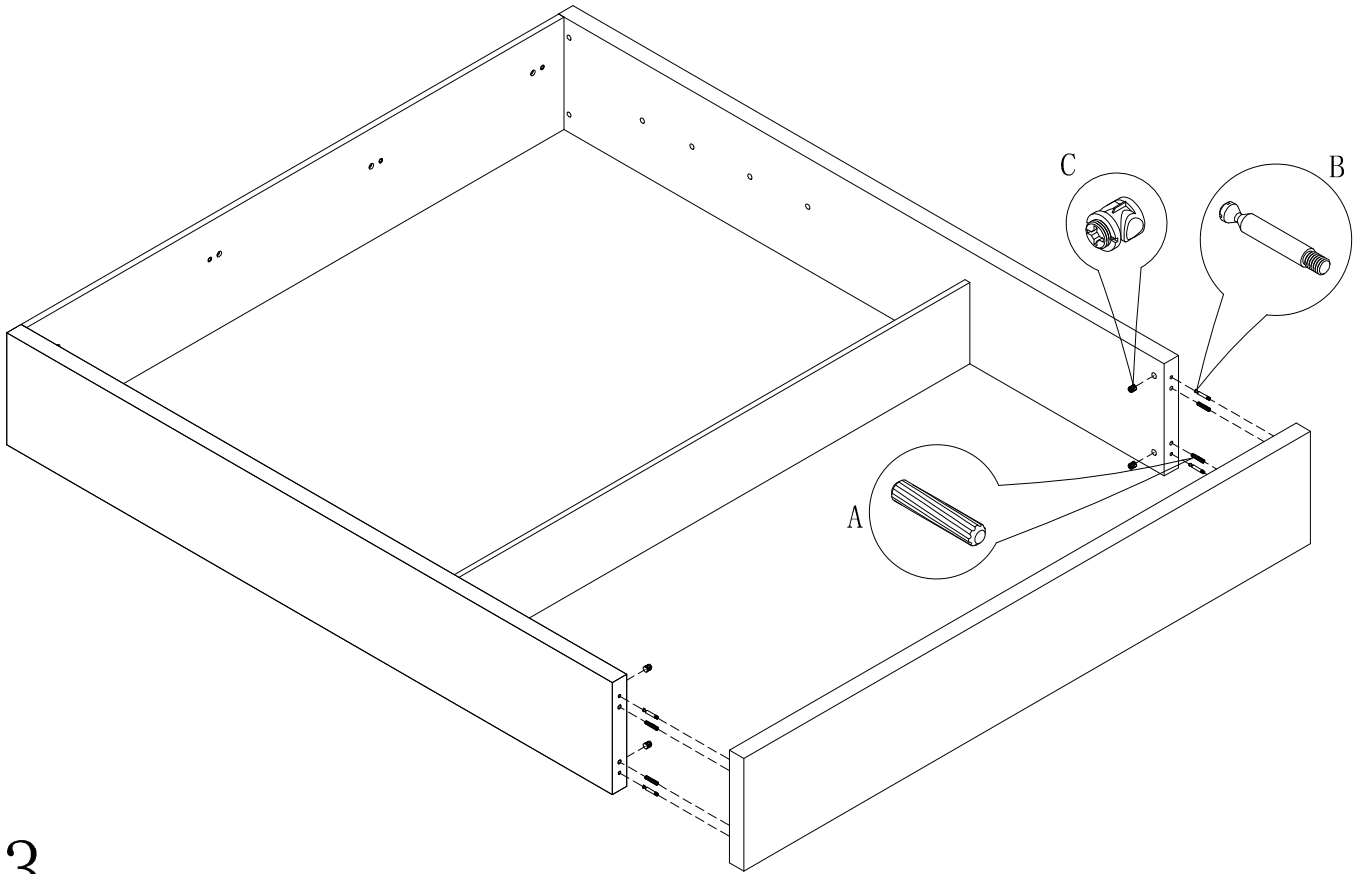
X x1
Spec: 4#



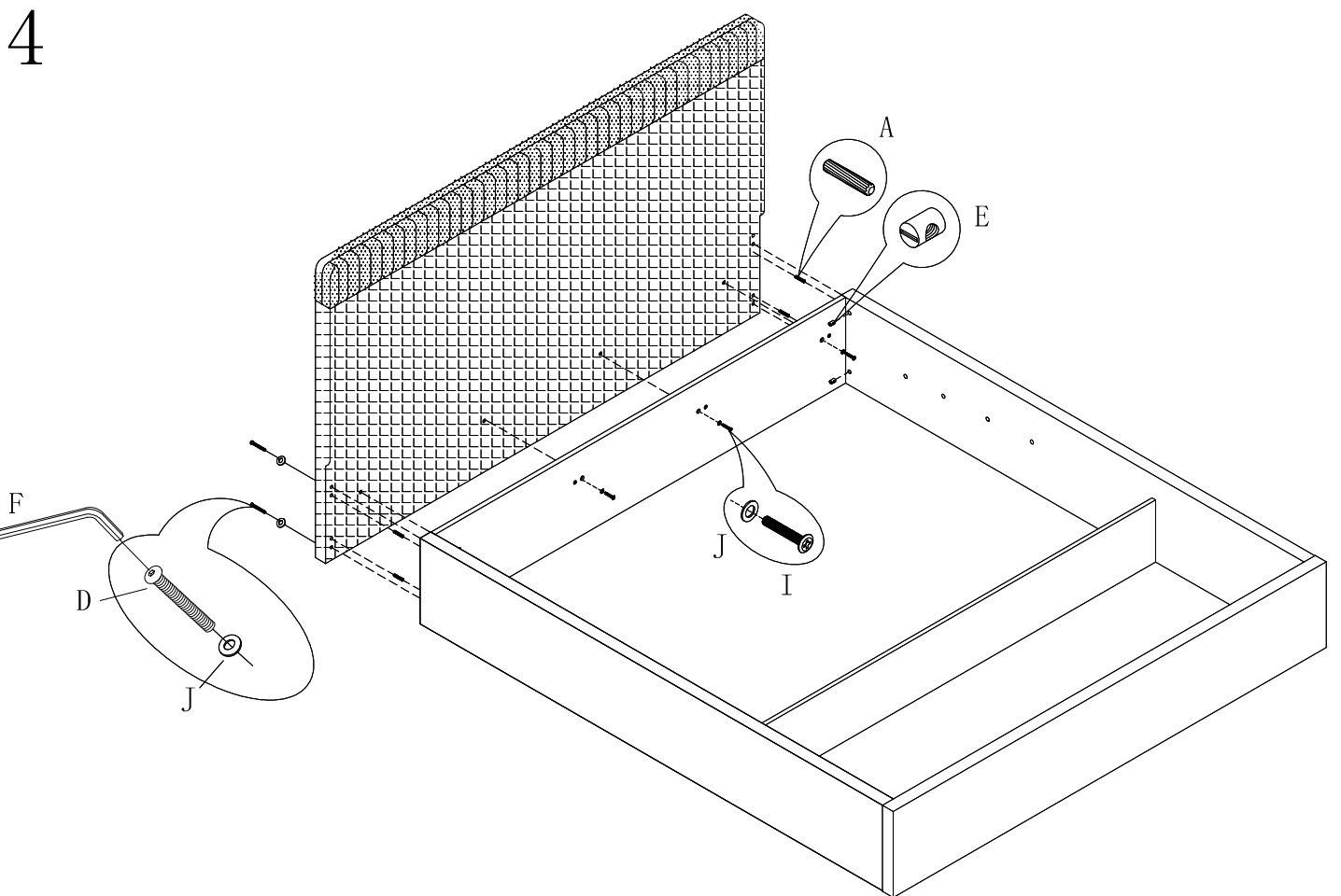
1

2

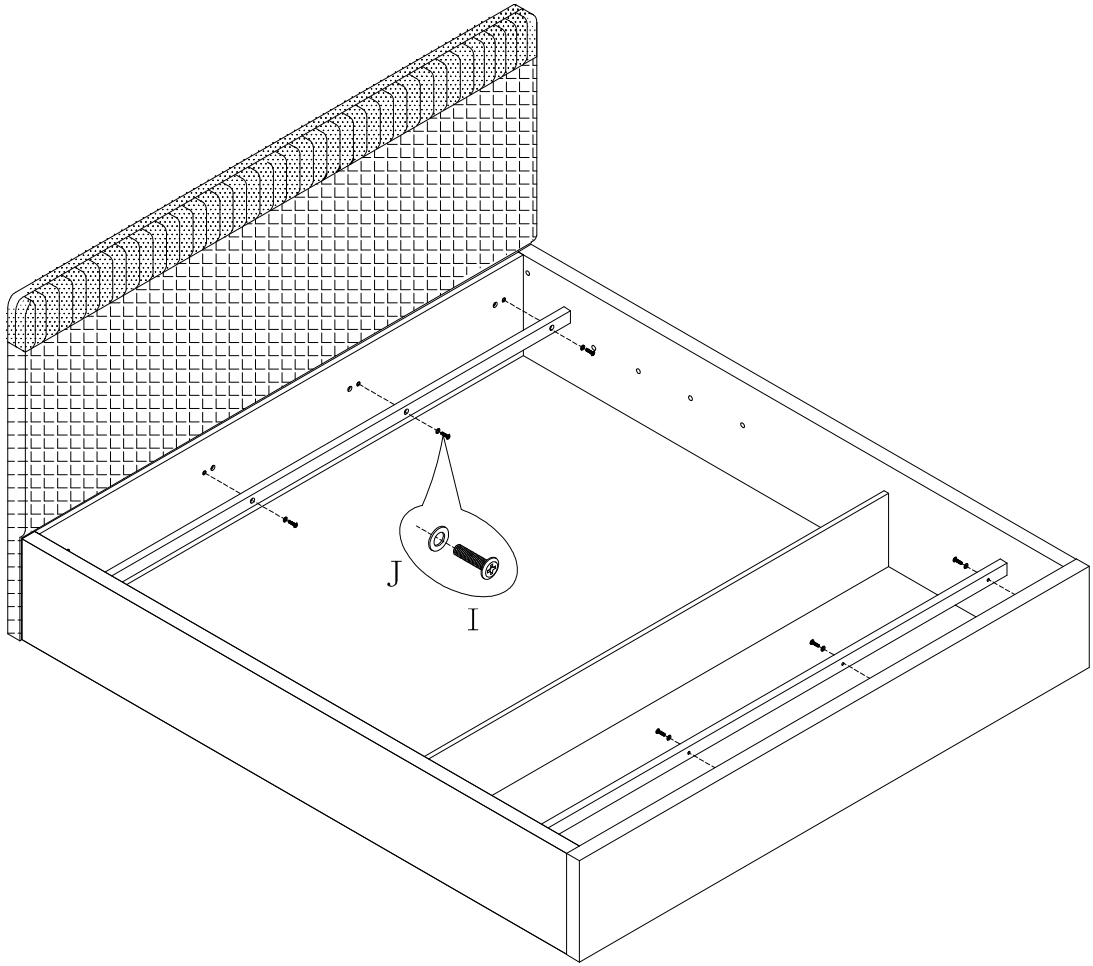




3

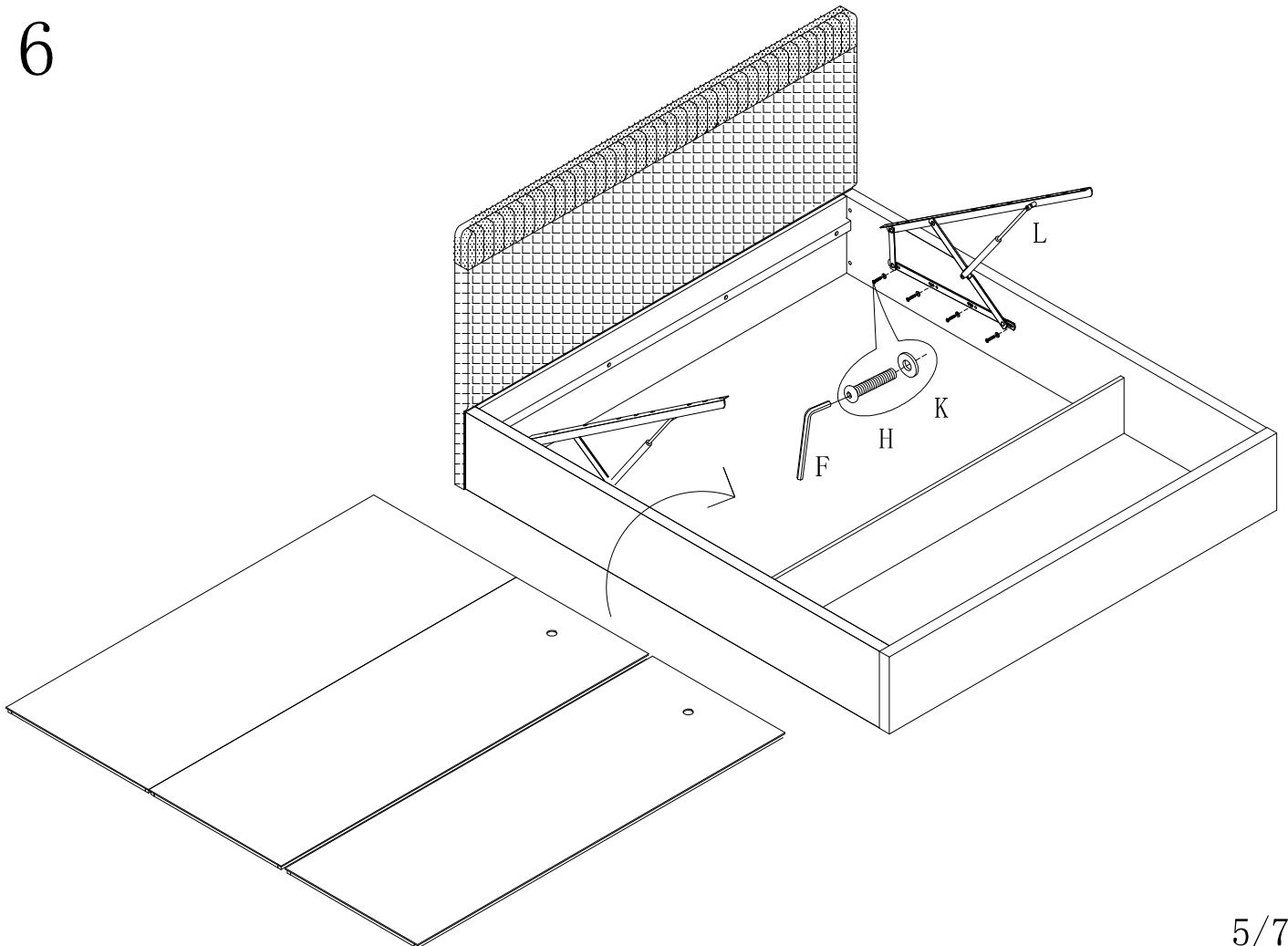


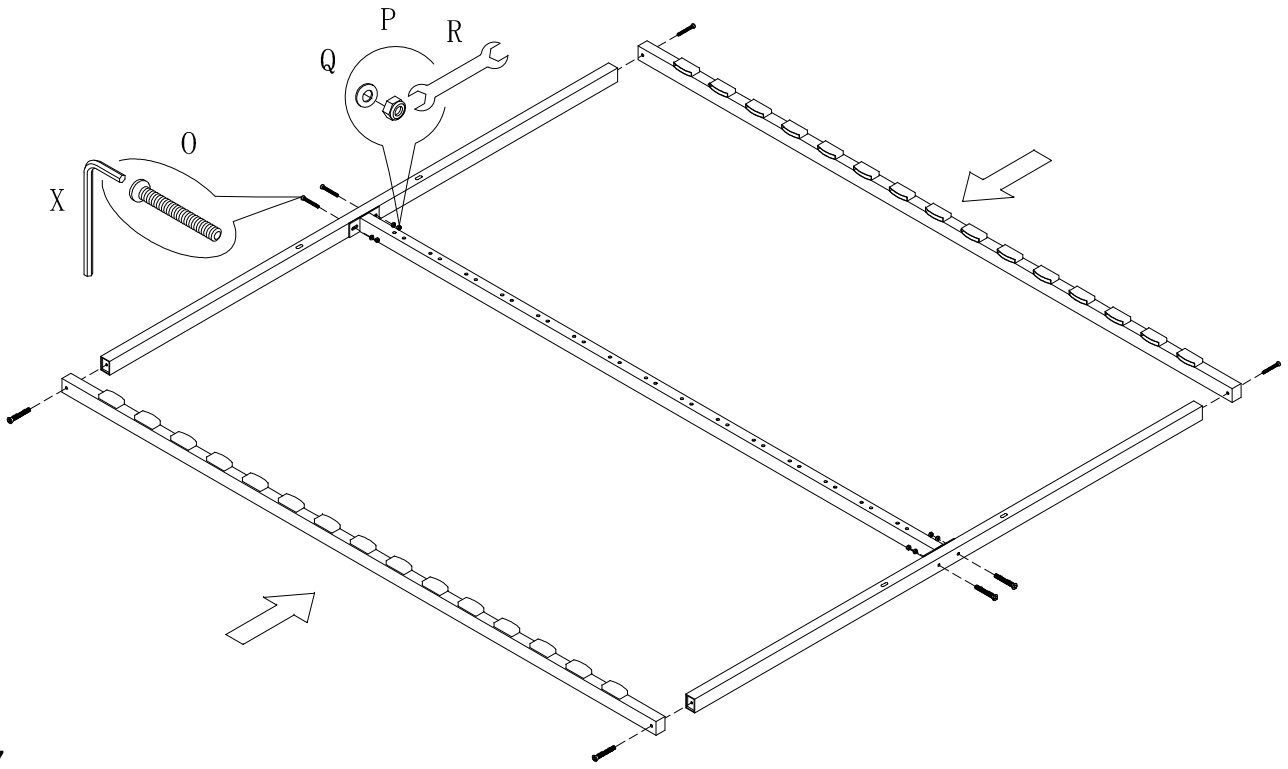
4



5

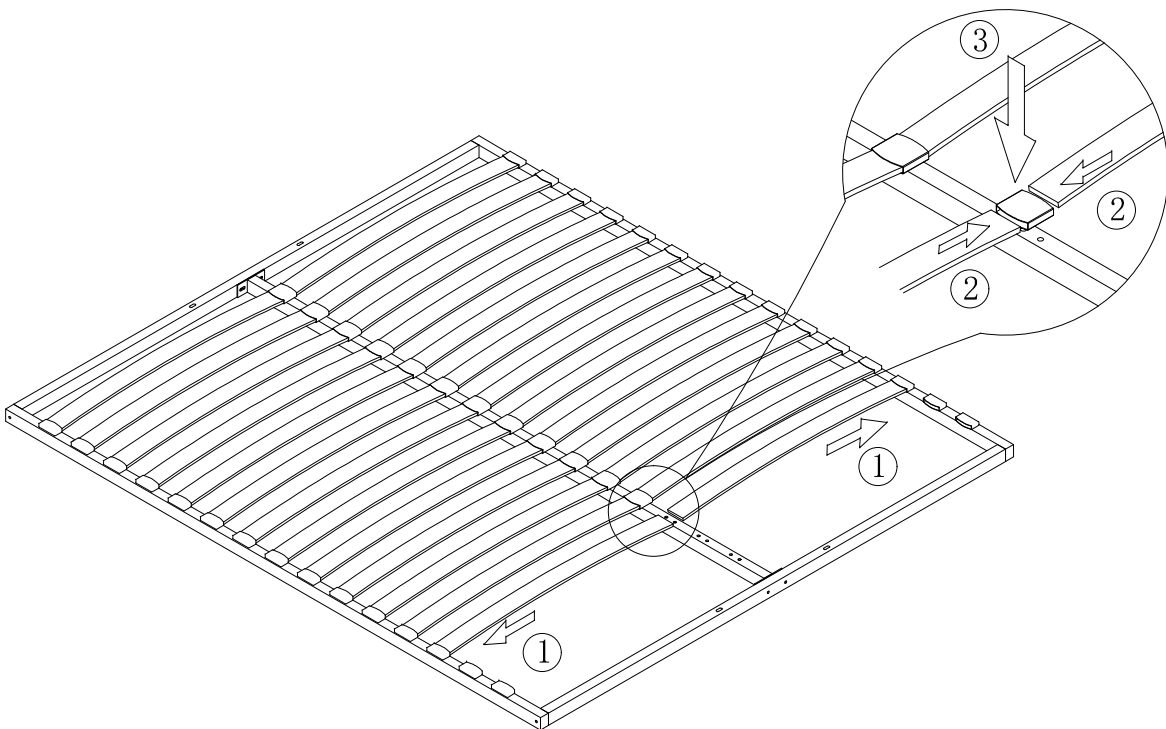
6

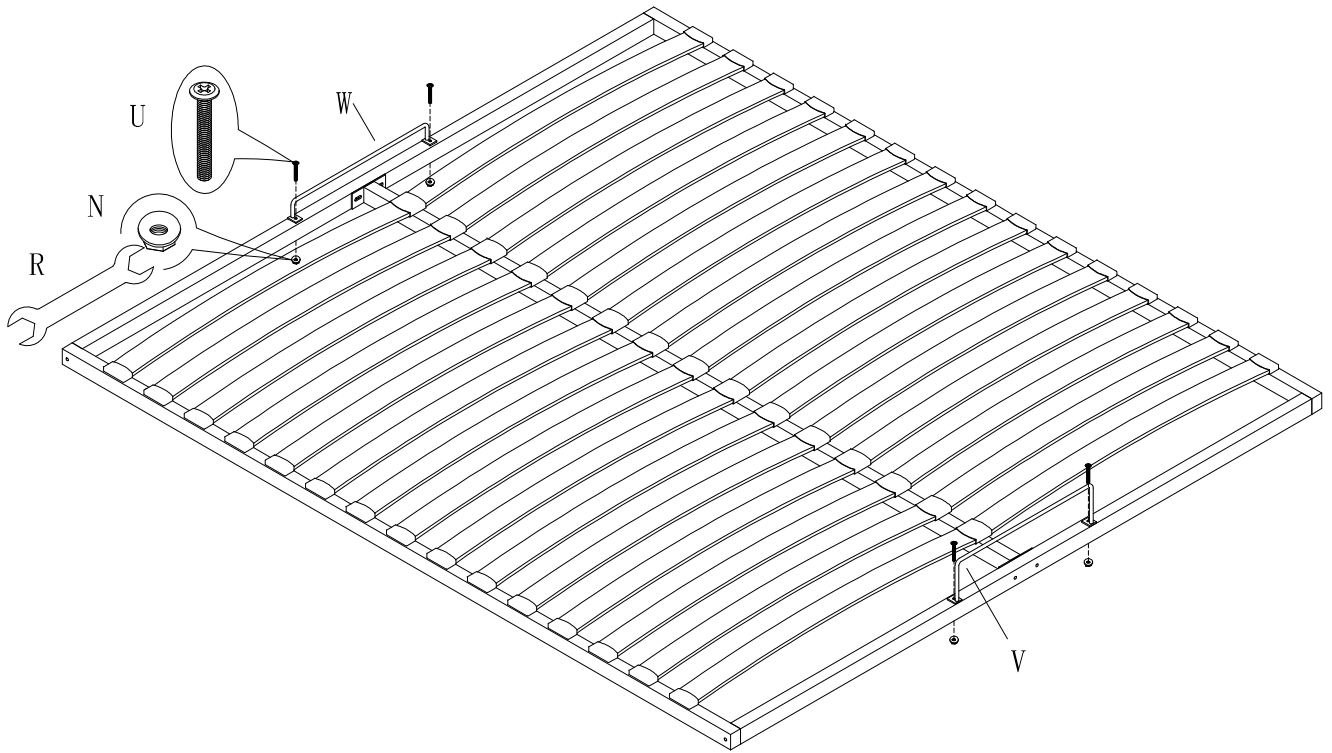




7

8





9

10

