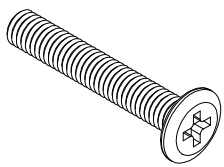
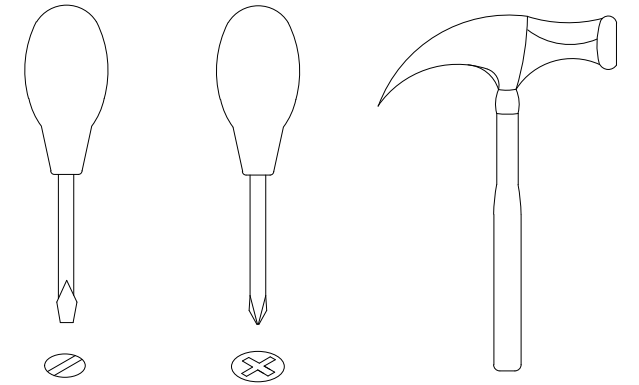
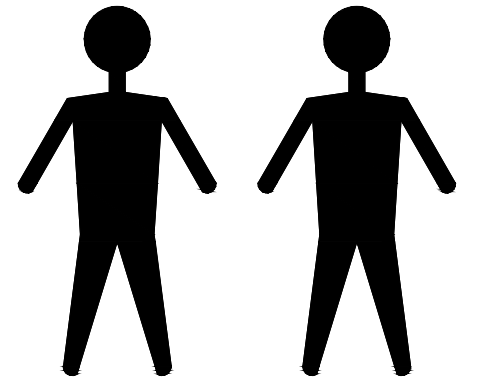


MDI. ST. BS. 16



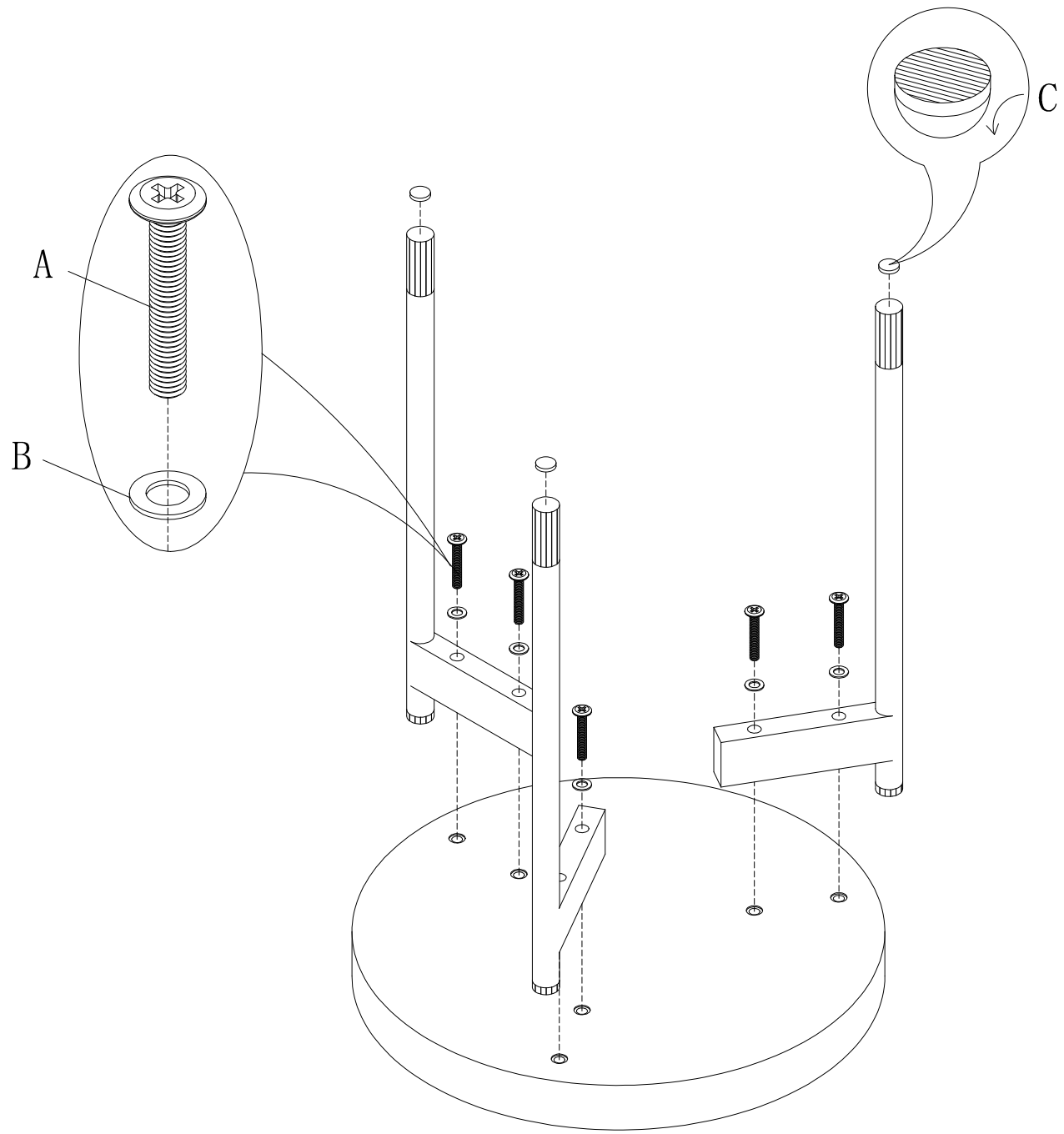
A x6
Spec: M6*50



B x6
Spec: $\varnothing 8 * \varnothing 14$



C x3
Spec: $\varnothing 15 * 3$



1