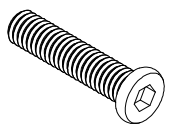
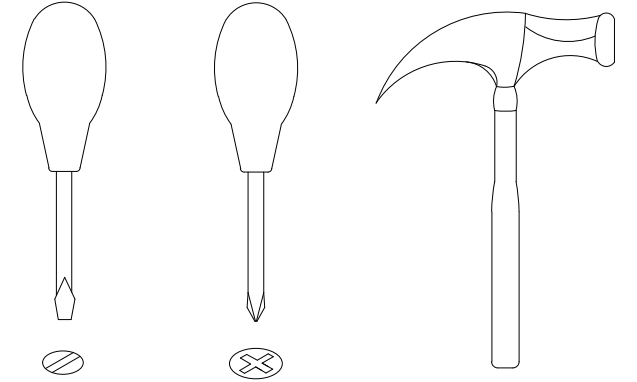
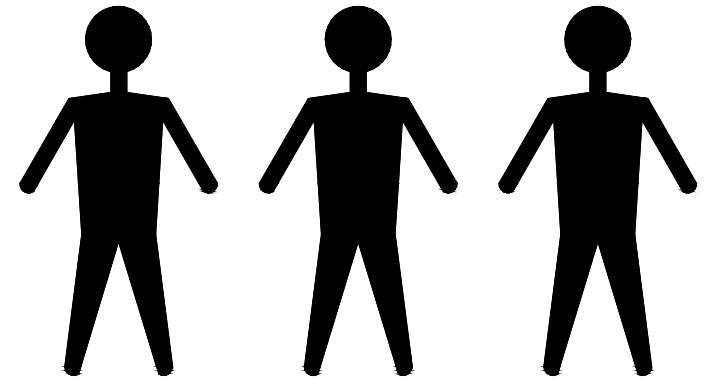
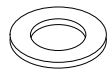


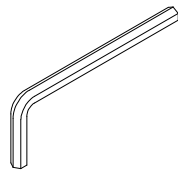
MDI. SH. BS. 32



A x48
Spec: 5/16*L40



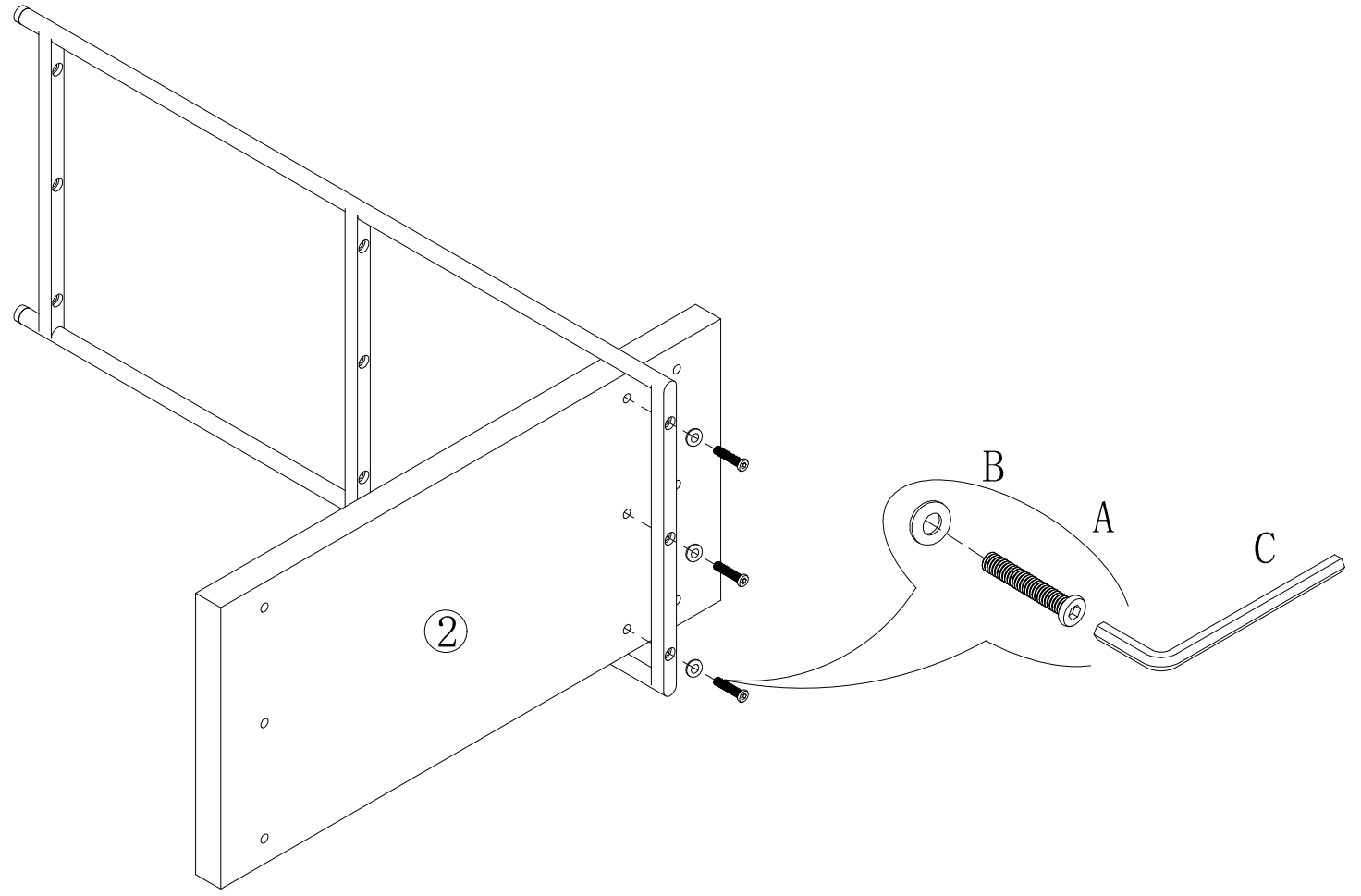
B x48
Spec: $\phi 8.2 * \phi 14$



C x1
Spec: 5#

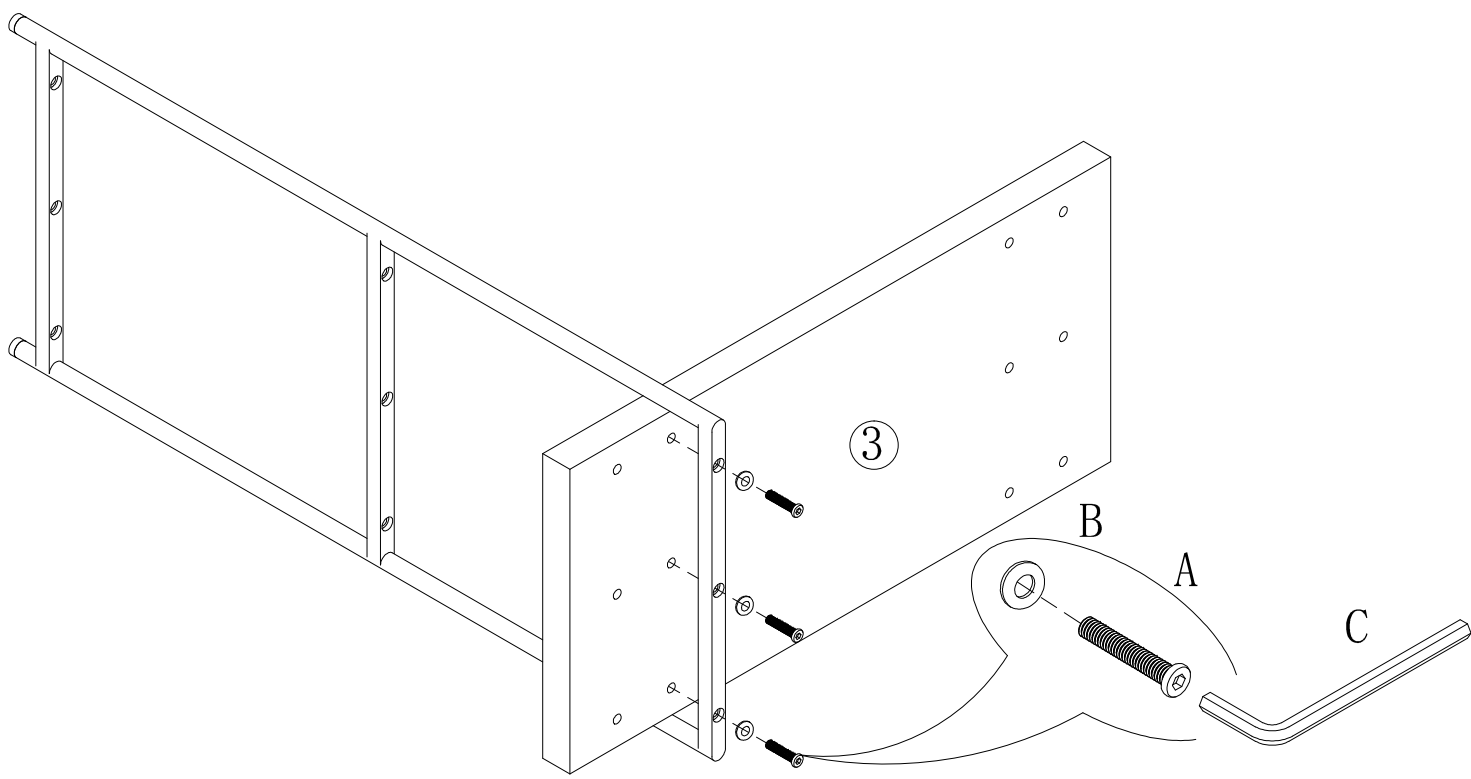


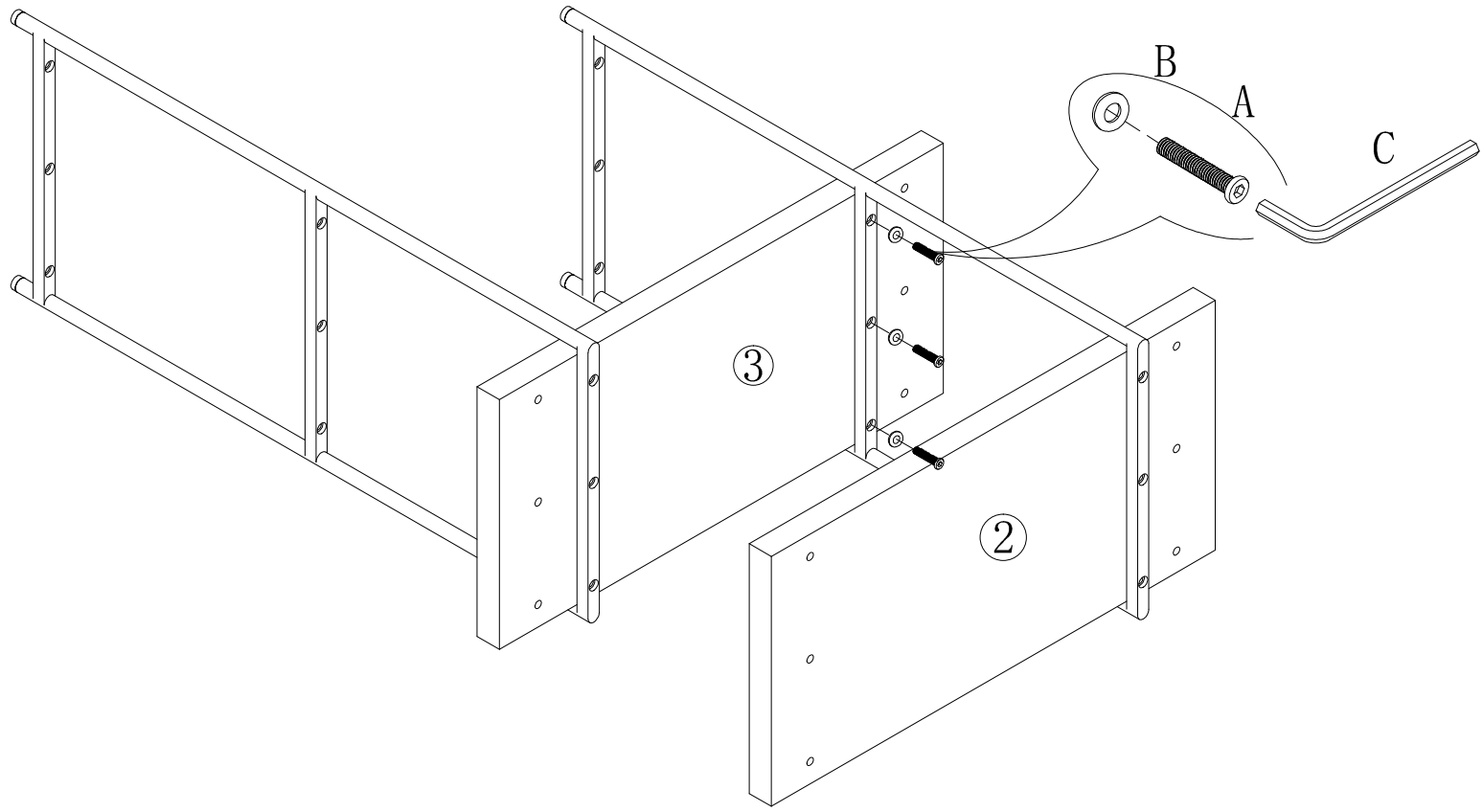
D x6
Spec: 15*15



1

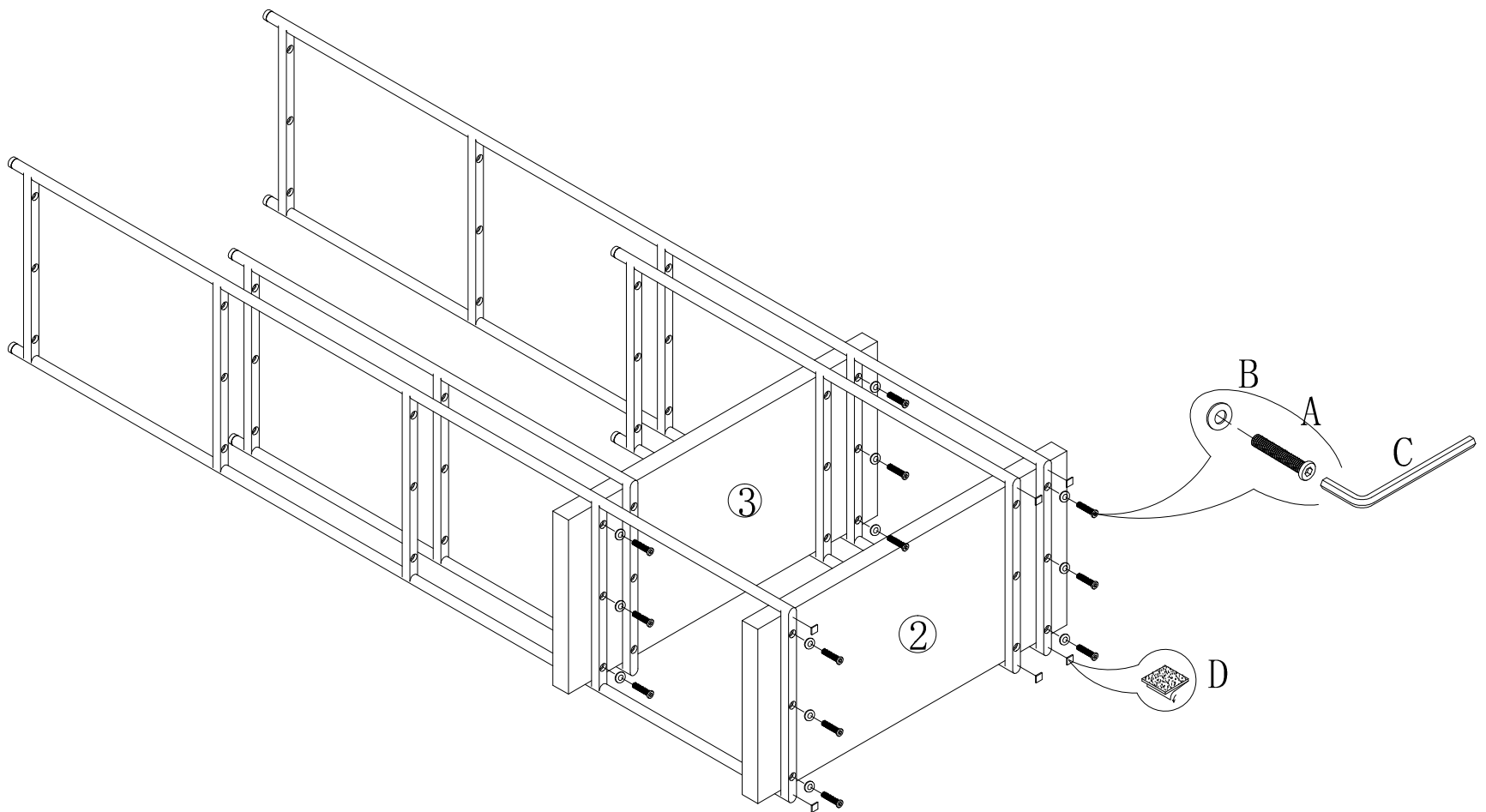
2



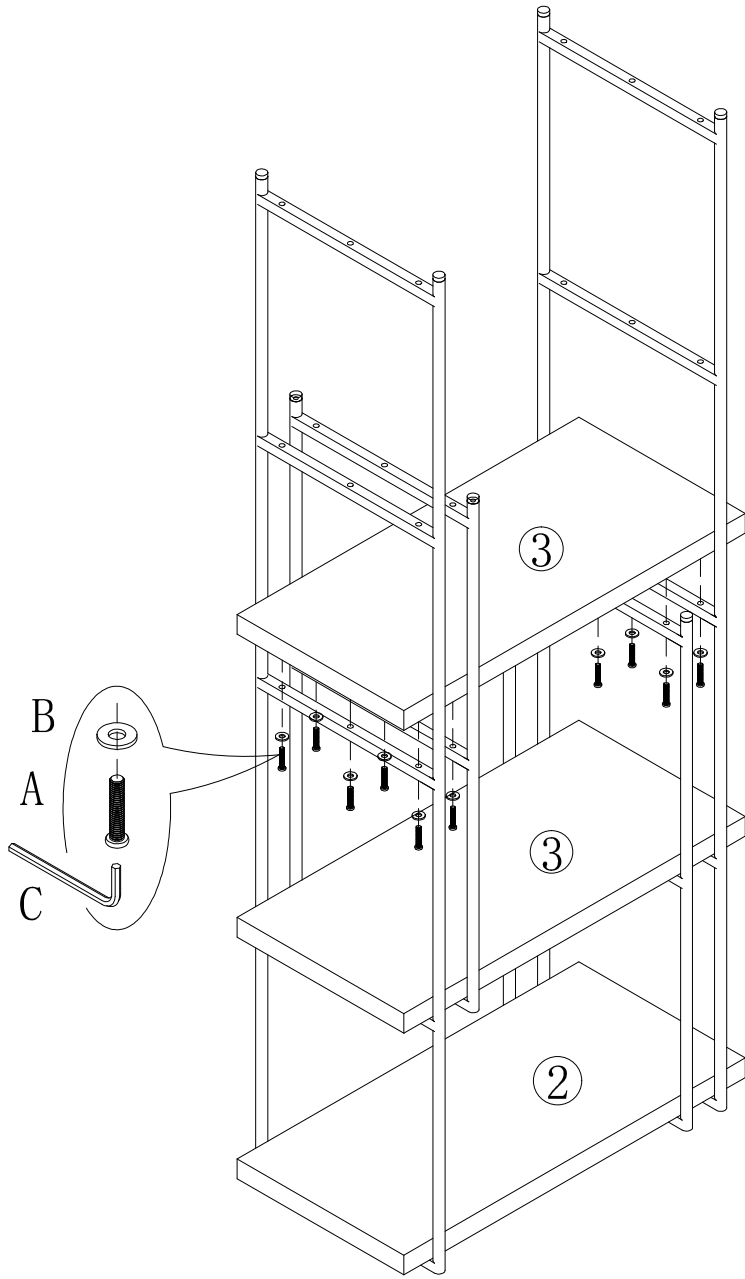


3

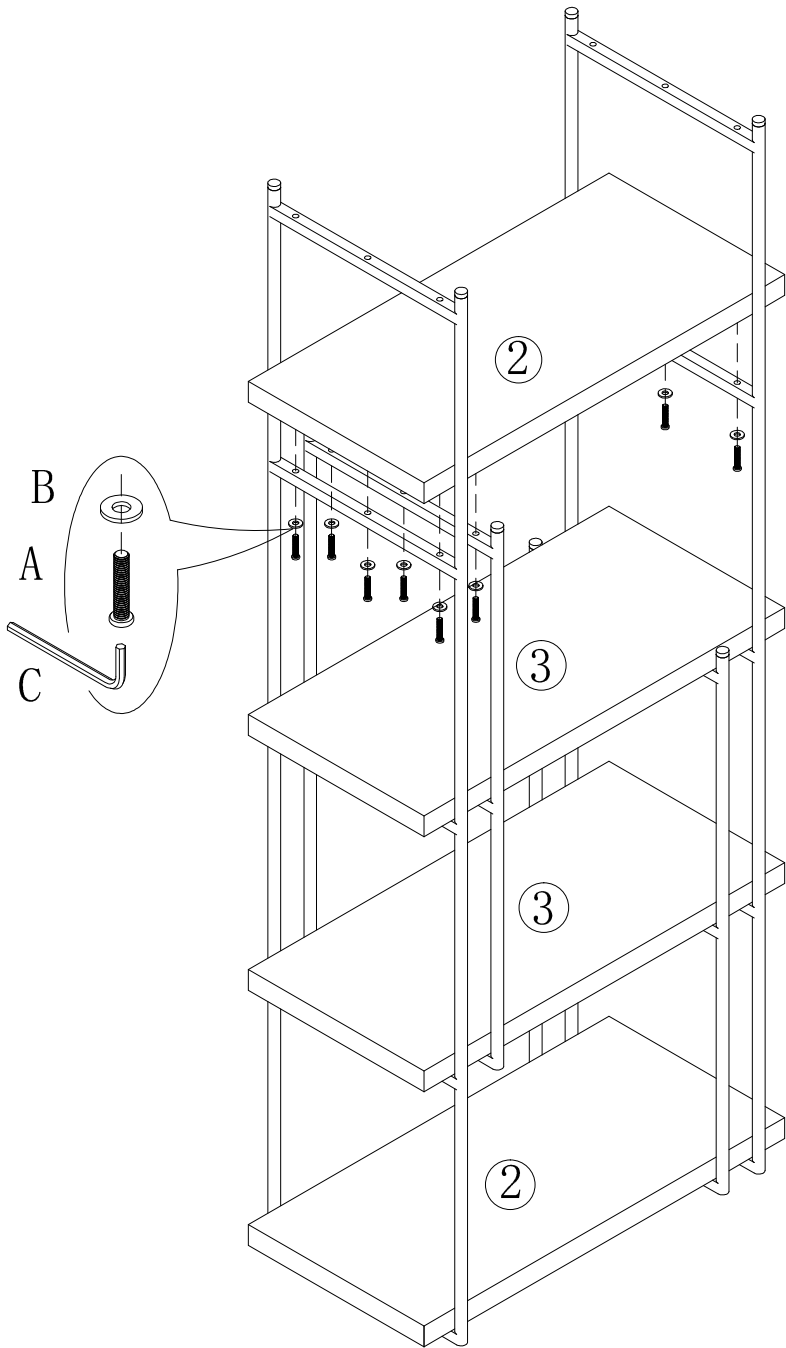
4

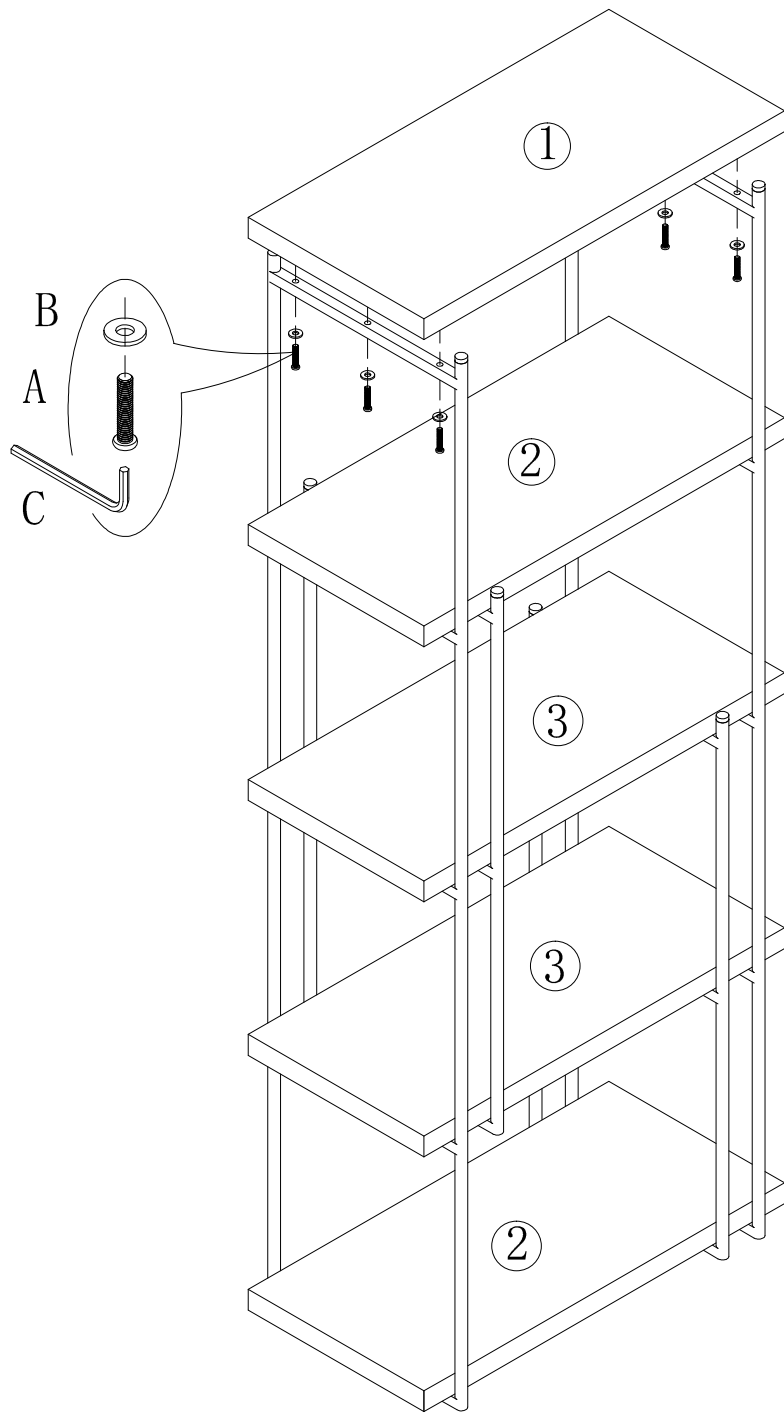


5



6





7