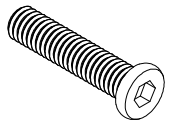
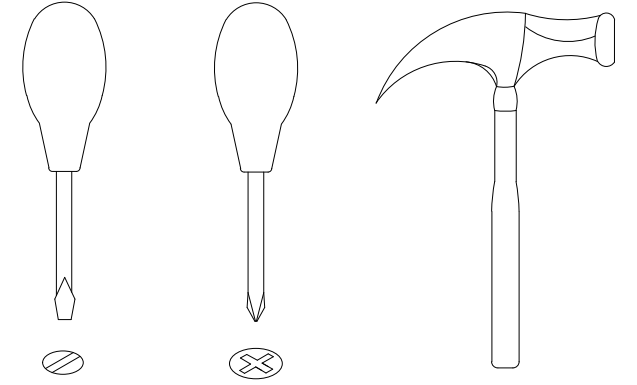
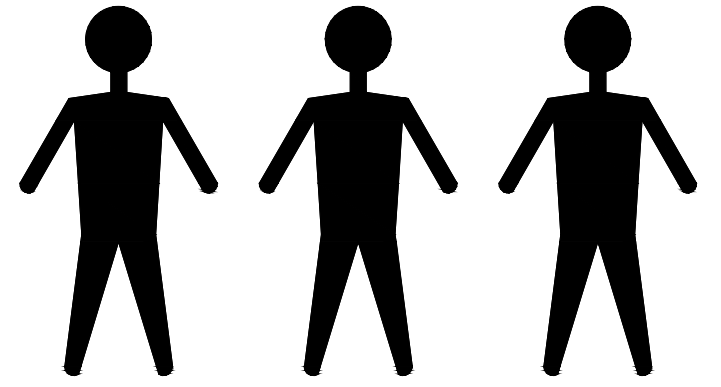
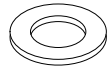


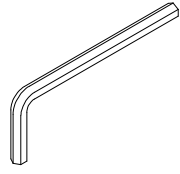
# MDI. SH. BS. 31



A x48  
Spec: 5/16\*L40



B x48  
Spec:  $\phi 8.2 * \phi 14$

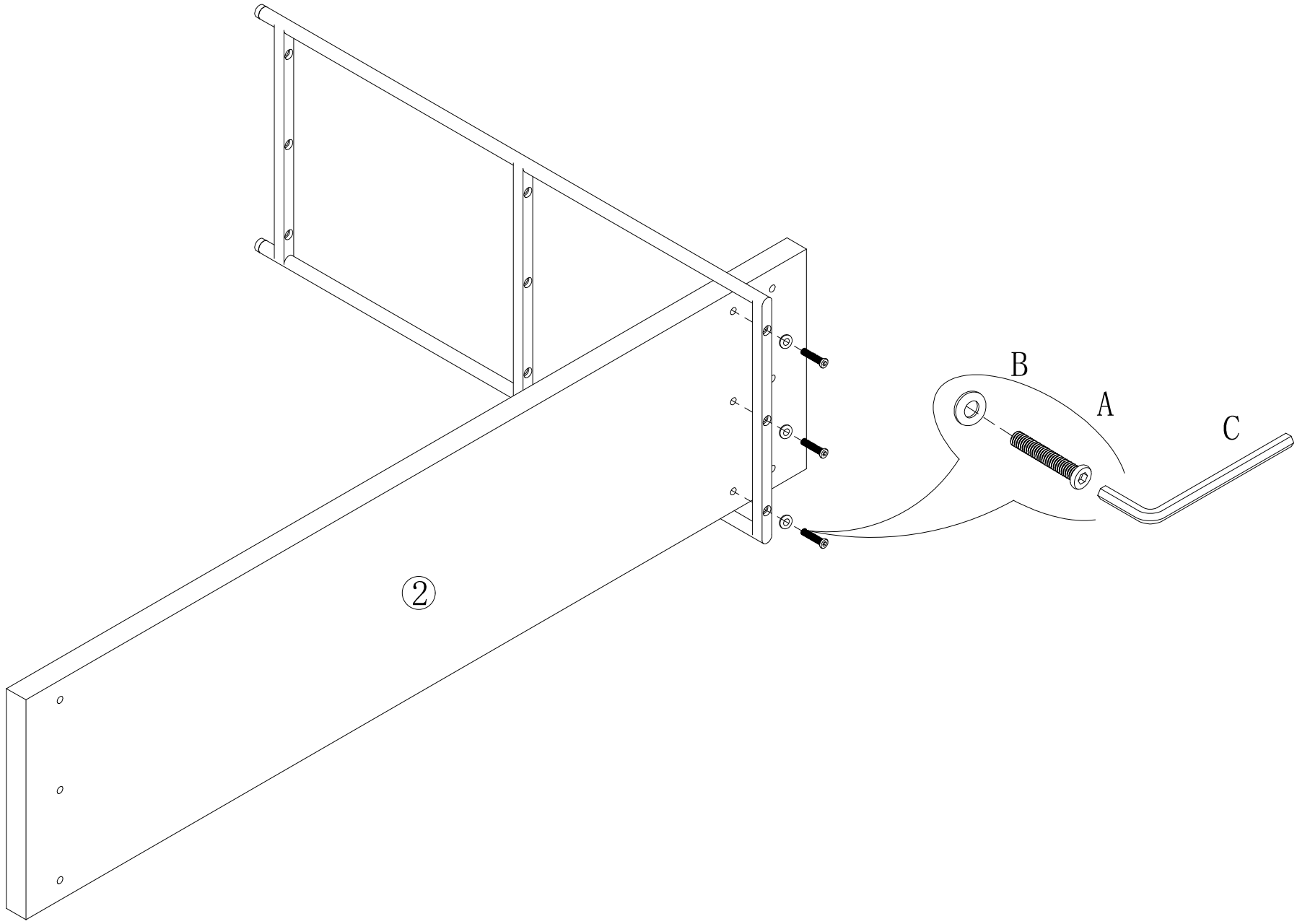


C x1  
Spec: 5#

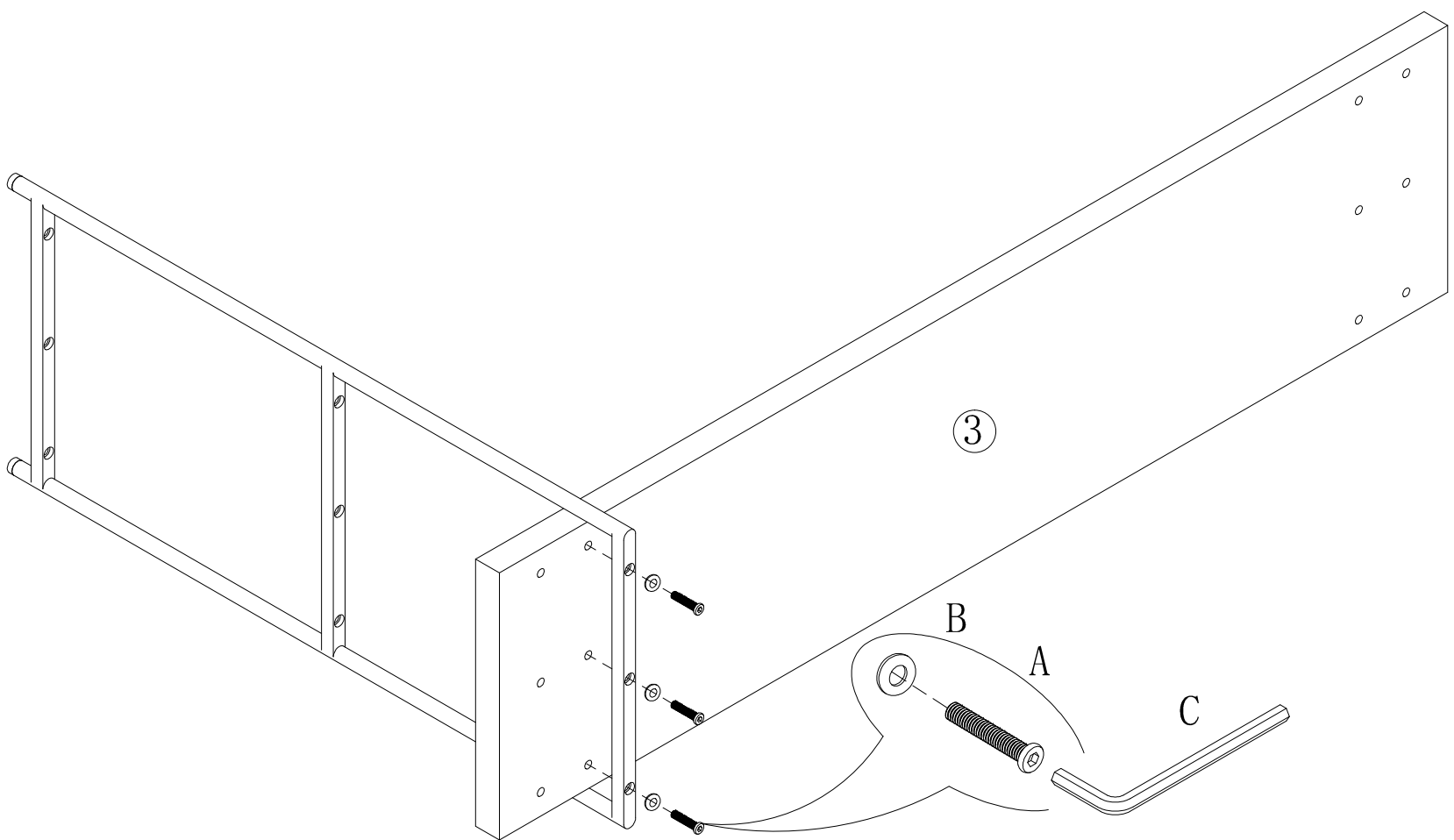


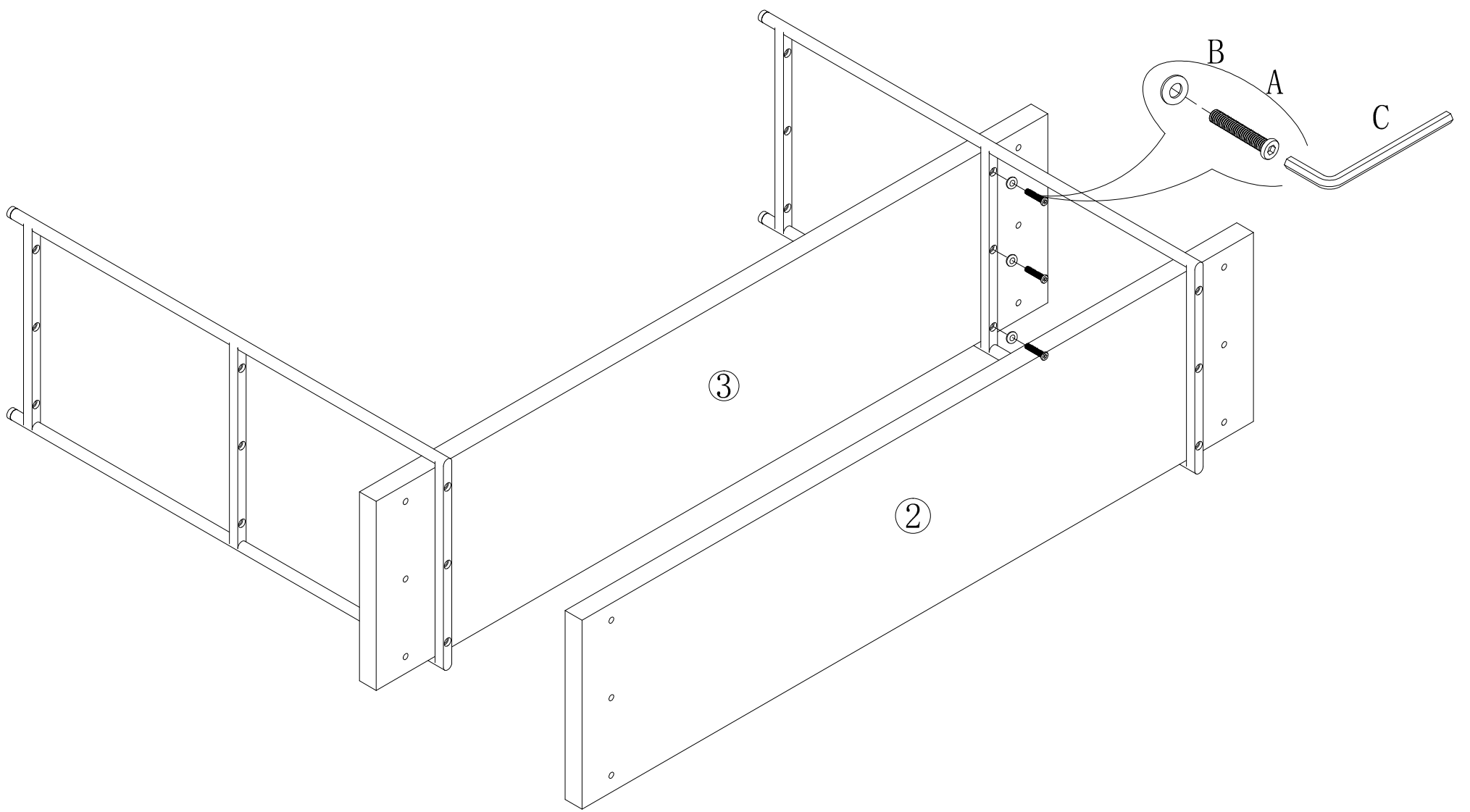
D x6  
Spec: 15\*15

1

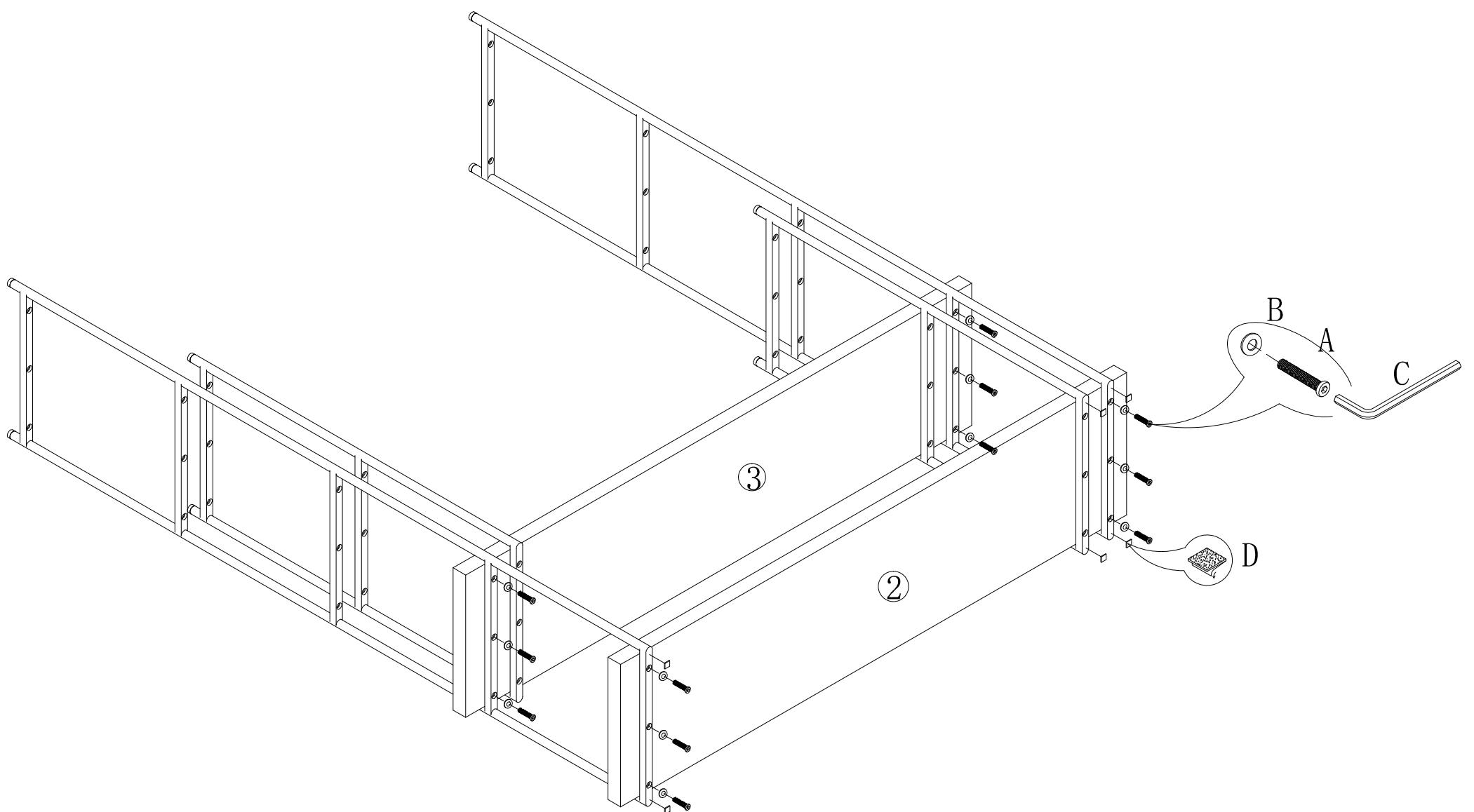


2

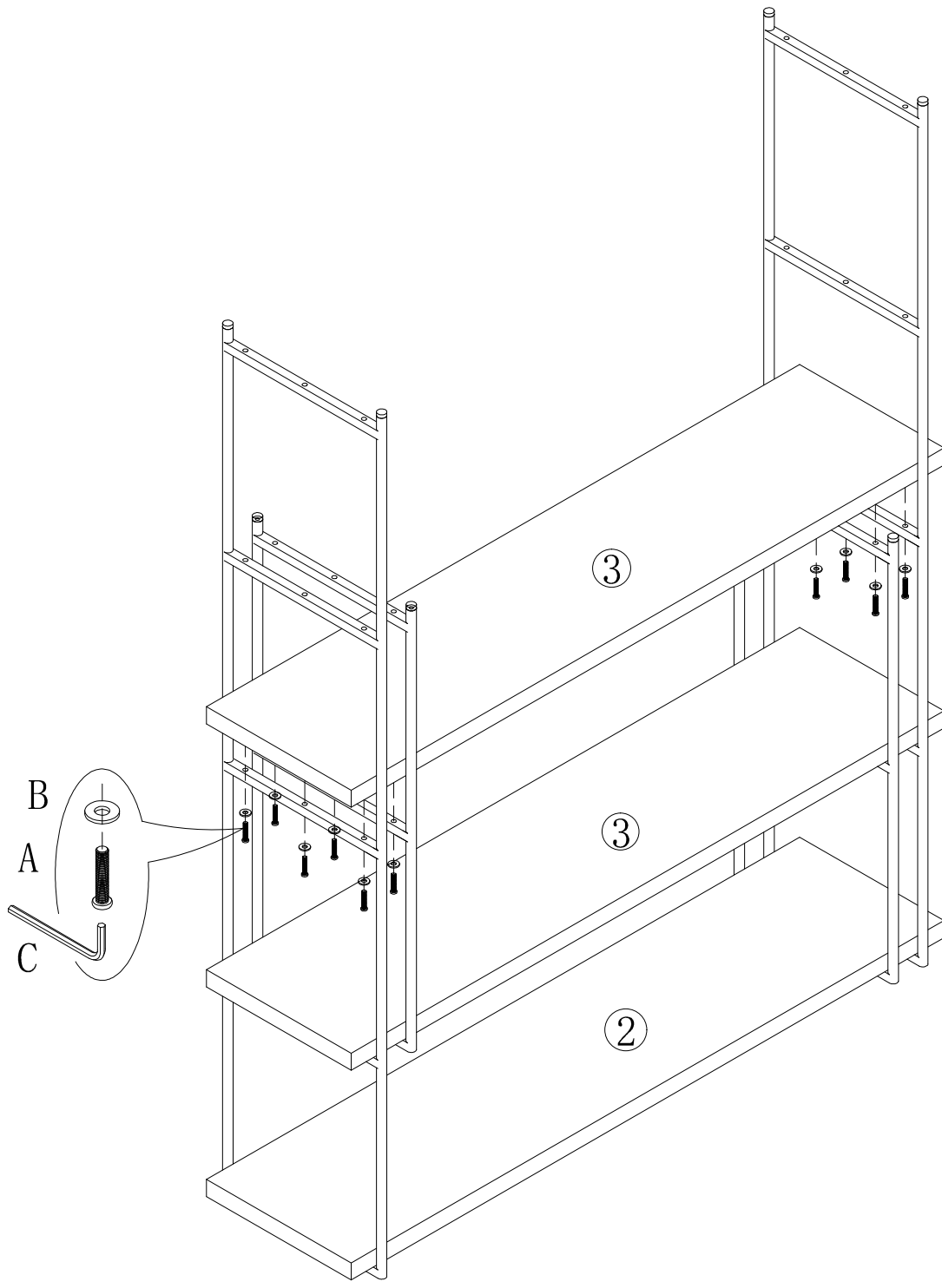




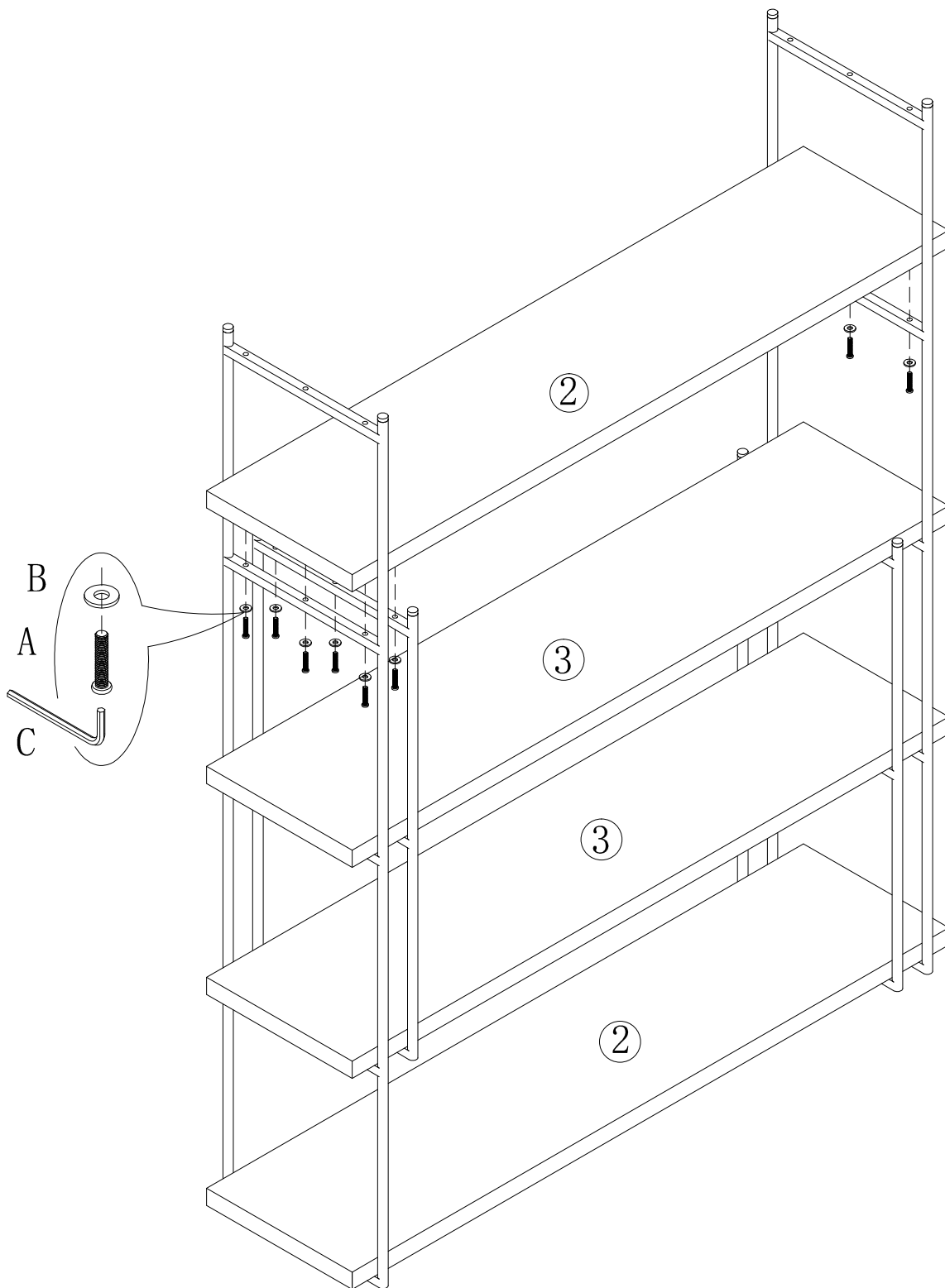
4

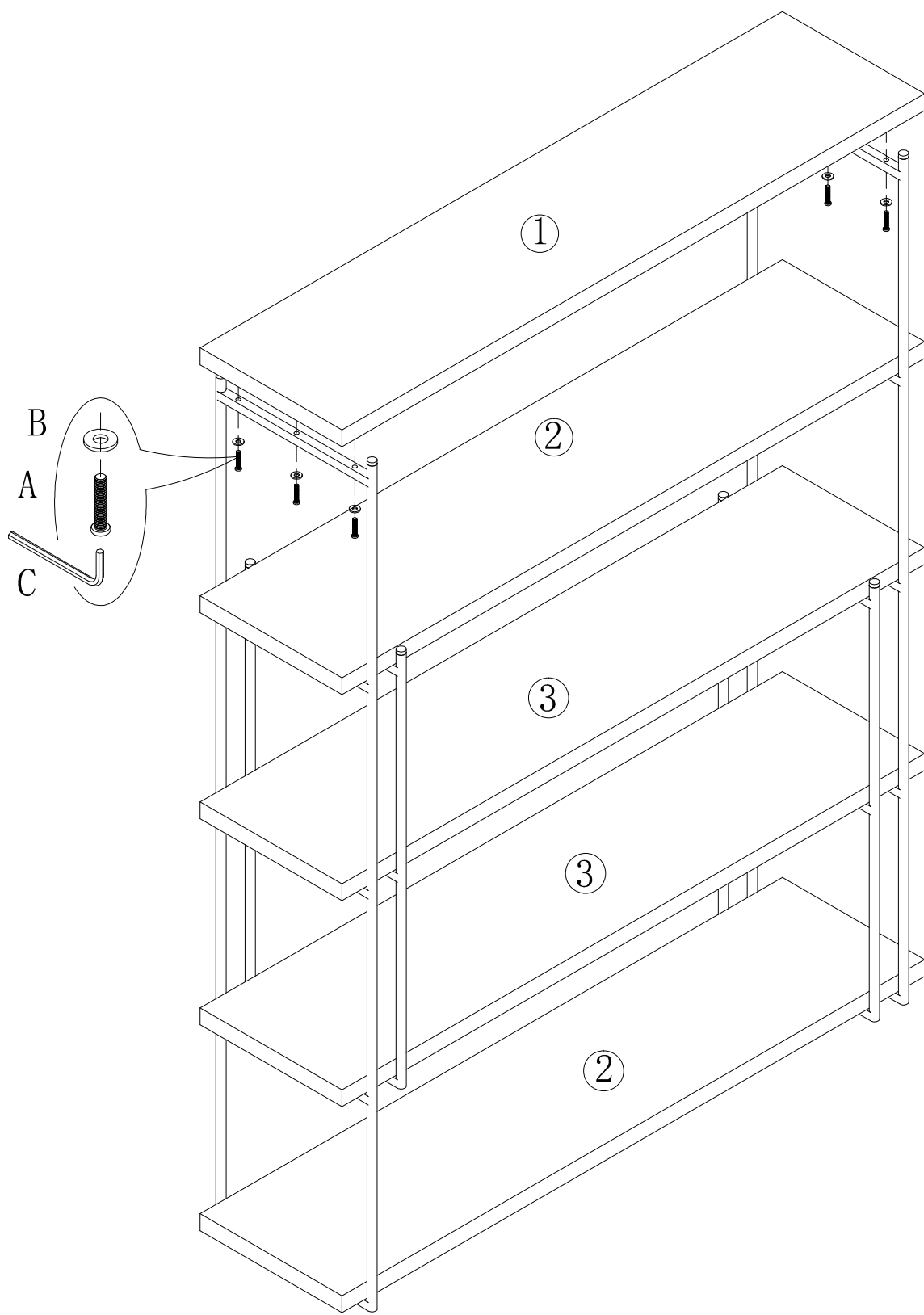


5



6





7